

FEATURES :

- **Wide Bandwidth**
- **Low Conversion Loss**
- **High Image Rejection**

SPECIFICATIONS

RF Frequency Range, [MHz]	55-150
LO Frequency, [MHz]	50
IF Frequency Range, [MHz]	5-100
Conversion Loss, typ / max [dB]	6.5 / 7.0
Image Rejection, typ / min [dB]	50 / 30
VSWR RF port, max	1.5 : 1
LO port, max	1.2 : 1
IF Port, max	1.5 : 1
Isolation LO - RF, min [dB]	45
LO - IF, min [dB]	40
RF - IF, min [dB]	28
LO Power typ. [dBm]	10±1
Input 1dB C.P. typ [dBm]	+7
Input IP ³ typ [dBm]	+18

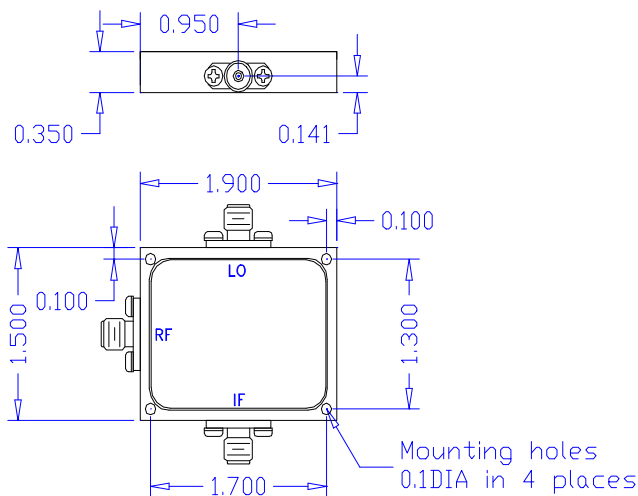
Operating Characteristics

Maximum RF Input Power, [dBm]	20
Maximum LO Power, [dBm]	23
Impedance, [Ohm]	50
Operating Temperature	-20°C to +70°C

Ordering Information

Model No.	Connectors	Package
IRM55-150	SMA(female)	M3B

Outline drawing M3B dimensions in inches



Specifications Subject To Change Without Notice

Rev. A 12.12.2022

Typical Performance

