

FEATURES :

- **RF/LO frequencies 220 to 240MHz**
- **IF Frequency 0.3 to 3MHz**
- **LO power +12dBm**

SPECIFICATIONS @+12dBm LO, +25°C

RF Frequency Range, [MHz]	220 to 240
LO Frequency Range, [MHz]	220 to 240
IF Frequency range, [MHz]	0.3 to 3
Conversion Loss, typ/max [dB]	5.5 / 6.5
Sideband Suppression, typ/min [dB]	35 / 30
VSWR RF port, max	2.0 : 1
LO port, max	1.3 : 1
IF Port, max	1.2 : 1
Isolation LO - RF, min [dB]	50
LO - IF, min [dB]	50
IF - RF, min [dB]	55
LO Power typ. [dBm]	12±1
Input 1dB C.P. typ [dBm]	+7
Input IP ³ typ [dBm]	+11

Operating Characteristics

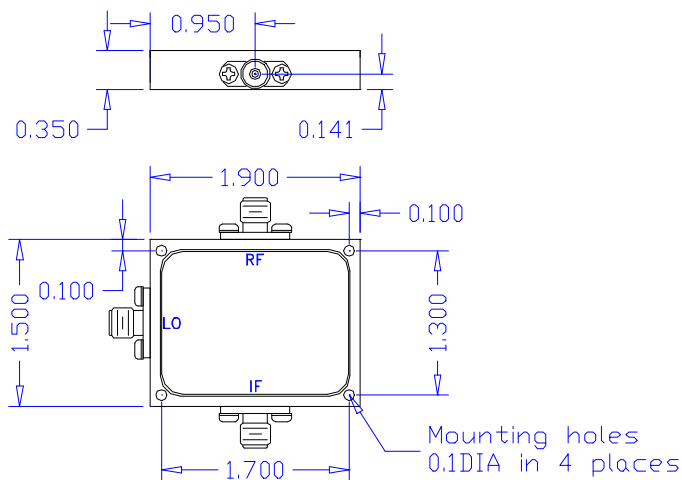
Maximum RF Input Power, [dBm]	20
Maximum LO Power, [dBm]	20
Impedance, [Ohm]	50
Operating Temperature	-20°C to +60°C

Ordering Information

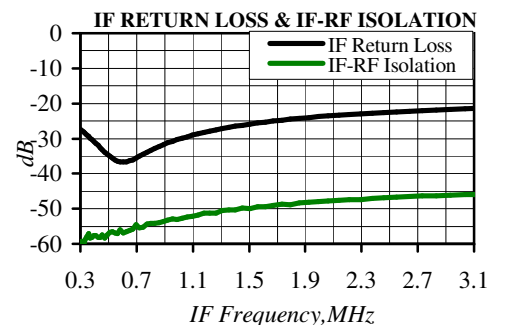
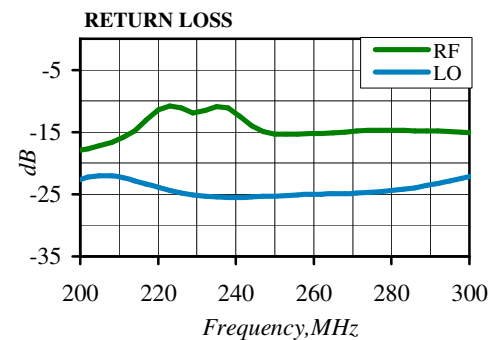
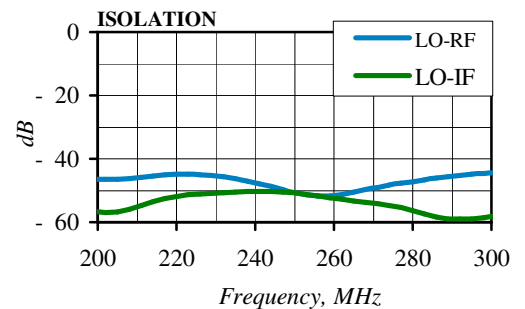
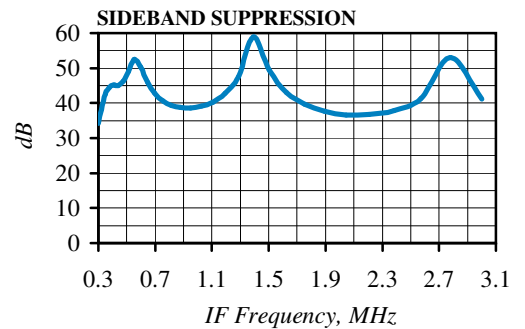
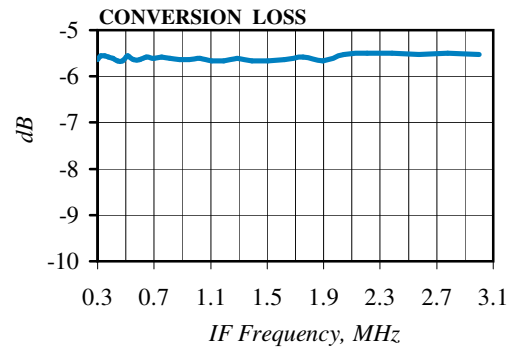
Model No.	Connectors	Package
SSB220-240-03-3	SMA-F	M3

Outline drawing

dimensions in inches



Typical Performance



Specifications Subject To Change Without Notice

Rev. A 12.01.2023

