

FEATURES :

- **Wide Bandwidth**
- **Low Conversion Loss**
- **High Image Rejection**

SPECIFICATIONS

RF Frequency Range, [MHz]	240-480
LO Frequency Range, [MHz]	160-400
Image Frequency Range, [MHz]	80-340
IF Frequency Range, [MHz]	64-76
Conversion Loss, RF>LO, max [dB]	7.0
Image Rejection, typ / min [dB]	30 / 25
VSWR RF port, max	1.5 : 1
LO port, max	2.0 : 1
IF Port, max	1.2 : 1
Isolation LO - RF, min [dB]	35
LO - IF, min [dB]	35
RF - IF, min [dB]	30
LO Power typ. [dBm]	13±1
Input 1dB C.P. min [dBm]	+6
Input IP ³ min [dBm]	+16

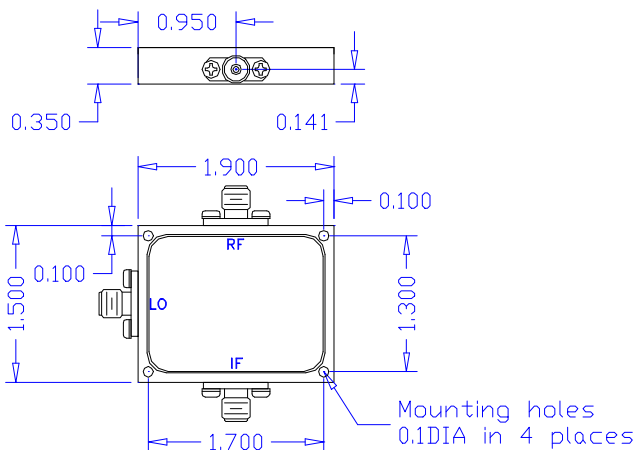
Operating Characteristics

Maximum RF Input Power, [dBm]	20
Maximum LO Power, [dBm]	23
Impedance, [Ohm]	50
Operating Temperature	-20°C to +70°C

Ordering Information

Model No.	Connectors	Package
SSB250-500	SMA(female)	M3

Outline drawing M3 dimensions in inches



* For reference only

Specifications Subject To Change Without Notice

Typical Performance*

