

FEATURES :

- **RF/LO frequencies 9 to 10GHz**
- **IF Frequency 10MHz to 1GHz**
- **LO power +14dBm**

SPECIFICATIONS @+14dBm LO, +25°C

RF Frequency Range, [GHz]	9 to 10
LO Frequency Range, [GHz]	9 to 10
IF Frequency range, [MHz]	10 to 1000
Conversion Loss, typ/max [dB]	5.5/6.5

Sideband Suppression, typ/min [dB]	30 / 25
------------------------------------	---------

VSWR RF port, max	2.0 : 1
LO port, max	1.5 : 1
IF Port, max	1.3 : 1

Isolation LO - RF, typ [dB]	45
LO - IF, min [dB]	45
IF - RF, min [dB]	45

LO Power typ. [dBm]	14±1
Input 1dB C.P. min [dBm]	+8
Input IP ³ min [dBm]	+18

Operating Characteristics

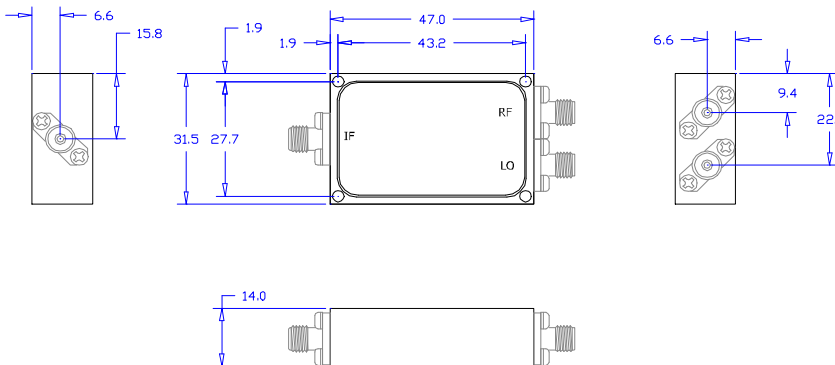
Maximum RF Input Power, [dBm]	24
Maximum LO Power, [dBm]	24
Impedance, [Ohm]	50
Operating Temperature	-20°C to +60°C

Ordering Information

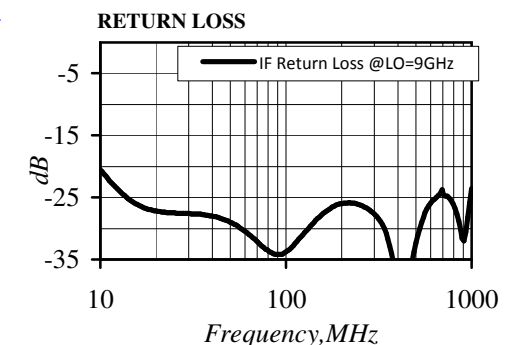
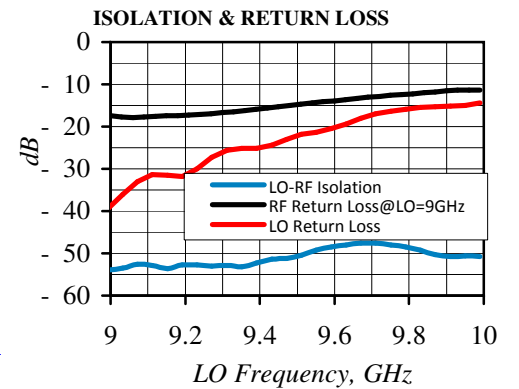
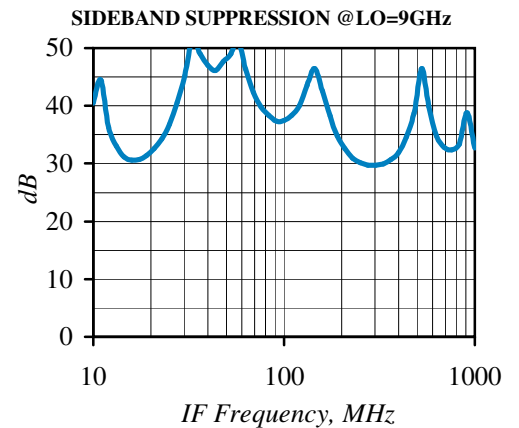
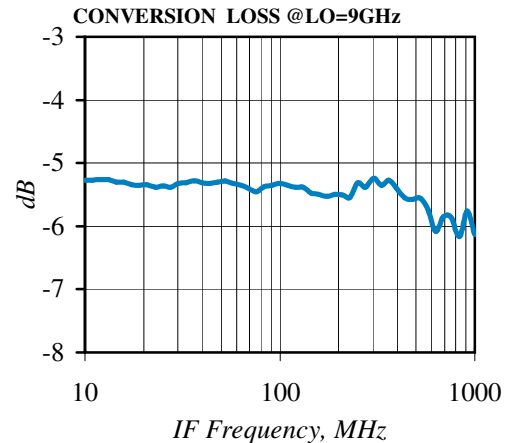
Model No.	Package
SSB9G-10G-10M-1G	M10B

Outline drawing

dimensions in mm



Typical Performance



Specifications Subject To Change Without Notice

Rev. A 12.12.2022

