

**FEATURES :**

- Coupling 15dB
- 4 to 8 GHz
- Directivity 25dB

**SPECIFICATIONS**

Frequency Range, [GHz]	4 - 8
Coupling, with reference to Input, [dB]	15 ± 1.0
Coupling flatness, max [dB]	±0.75
True Insertion Loss*, max [dB]	0.3
Directivity, min [dB]	20
VSWR	1.2:1

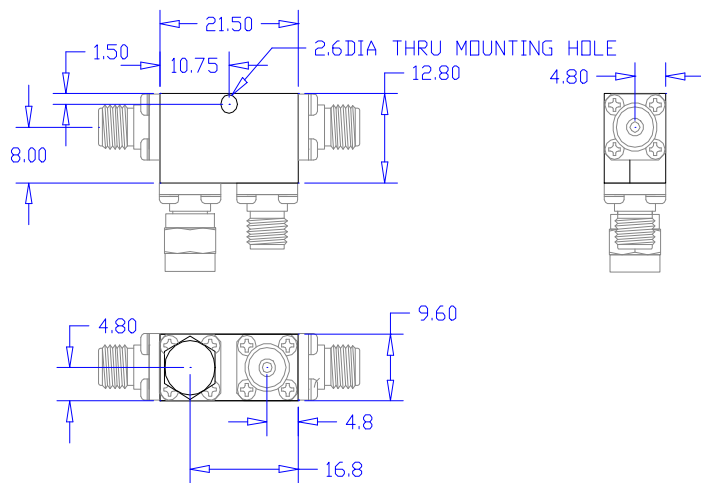
**Operating Characteristics**

Input Power, [W] with matched loads	10
Impedance, [Ohm]	50
Operating Temperature	-40°C...+85°C

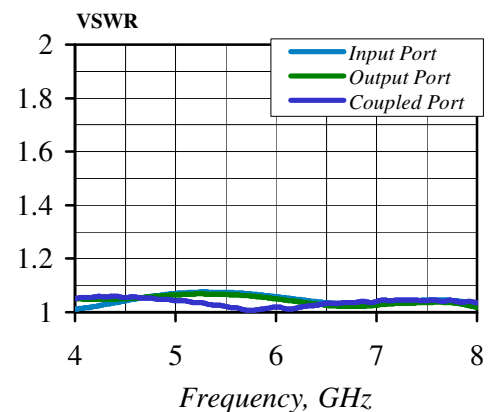
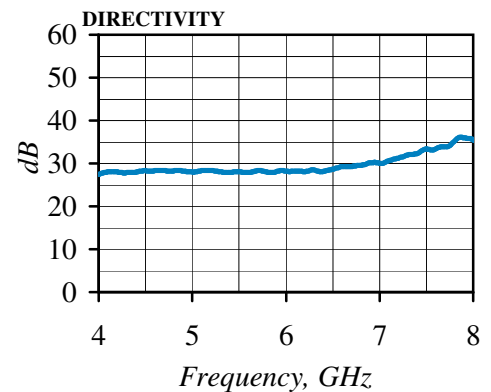
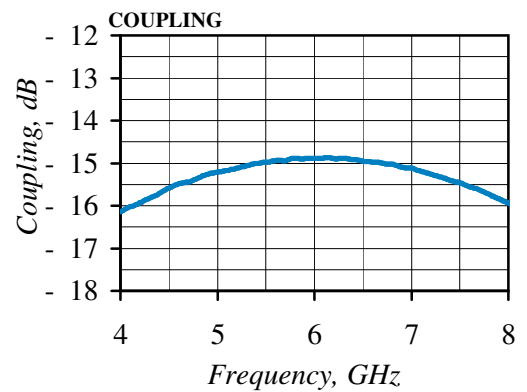
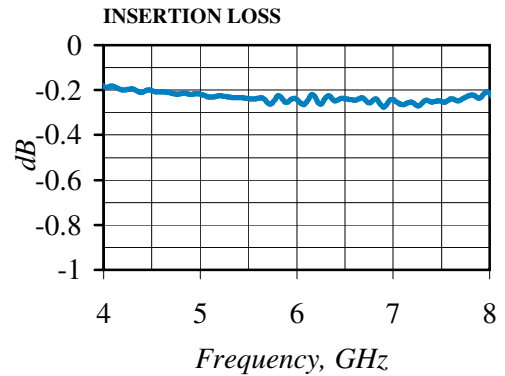
**Ordering Information**

<b>Model No.</b>	
<b>CPL4000-8000-15</b>	

**Outline drawing** dimensions in mm



**Typical Performance**



\*Including coupling loss

Specifications Subject To Change Without Notice

Rev. A 12.12.2022

