

### FEATURES :

- **Bandwidth 4 to 8GHz**
- **High Directivity**
- **Low Loss**

### SPECIFICATIONS

Frequency Range, [GHz]	4 - 8
Coupling, with reference to Input, [dB]	20 ± 1.0
Coupling flatness, max [dB]	±0.75
Mainline Loss*, max [dB]	0.2
Directivity, min [dB]	20
VSWR	1.2:1

### Operating Characteristics

Input Power, [W] with matched loads	50
Impedance, [Ohm]	50
Operating Temperature	-40°C to +85°C

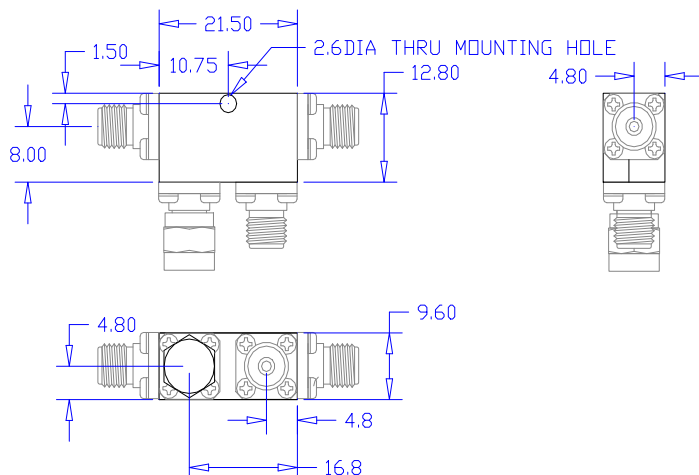
\* Mainline loss includes coupling loss

### Ordering Information

Model No.	Connectors
CPL4000-8000-20	SMA

### Outline drawing

dimensions in mm



Specifications Subject To Change Without Notice

### Typical Performance

