

FEATURES :

- **High Power**
- **Low Loss**

SPECIFICATIONS

Center Frequency, [MHz]	13.6
Insertion Loss@CF [dB] max.	1.2
1dB Bandwidth, [MHz] min.	1.7
20dB Bandwidth, [MHz] max.	2.8
Reject Bands, [MHz]	DC to 10 and 18 to 300
Reject Attenuation, [dB] min.	60
VSWR	1.5 : 1
Average Power, [Watts]	100

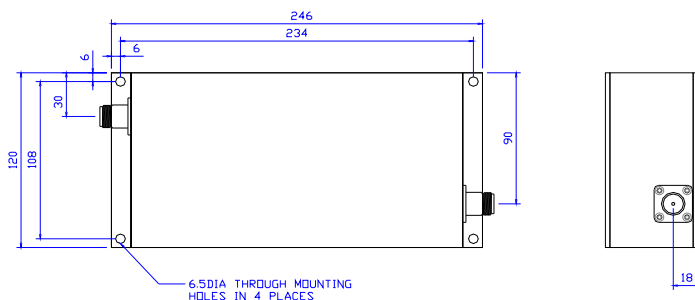
Operating Characteristics

Operating Temperature	-40°C to +85°C
Impedance, [Ohm]	50

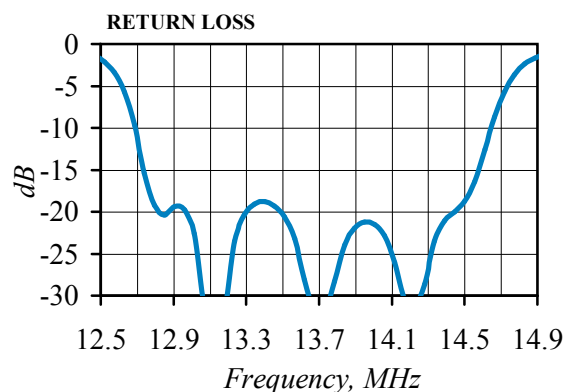
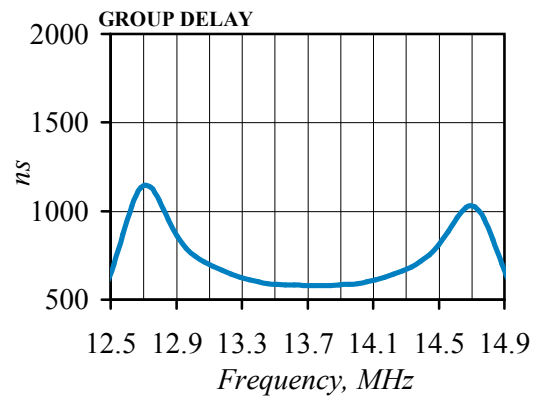
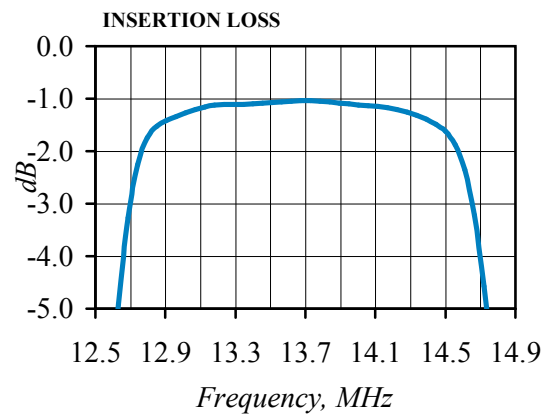
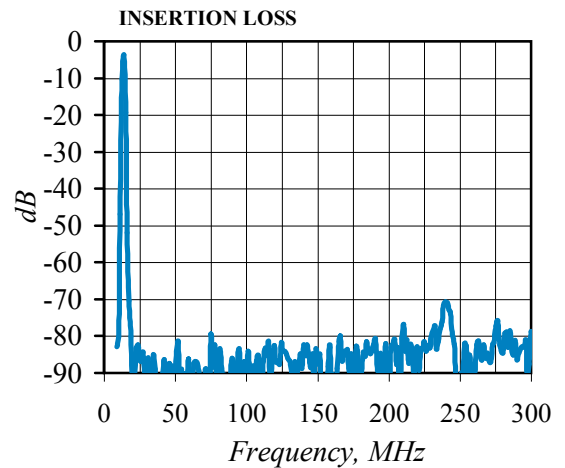
Ordering Information

Model No.	Connectors
FBL5-13.6-1.3	N

Outline drawing



Dimensions in mm



Specifications Subject To Change Without Notice