

FEATURES :

- *Small Size*
- *Low Loss*

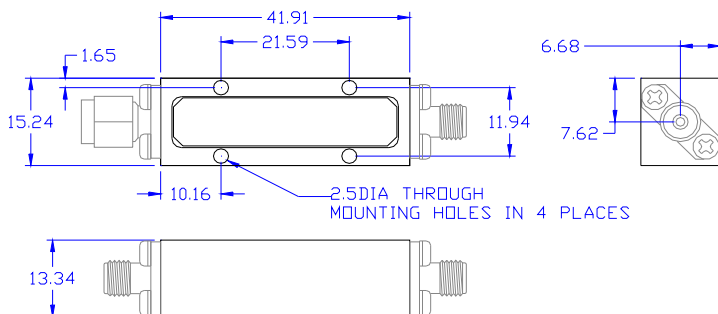
SPECIFICATIONS

Center Frequency, [MHz]	1325
Insertion Loss@Center Freq. [dB]	1.3
3dB Bandwidth, [MHz] min.	250
20dB Bandwidth, [MHz] max.	340
Reject Bands, [GHz]	DC to 1 and 1.6 to 2.8
Reject Attenuation, [dB] min.	60
VSWR	1.5 : 1
Average Power, [Watts]	1
Operating Characteristics	
Operating Temperature	-40°C to+85°C
Impedance, [Ohm]	50

Ordering Information

Model No.	Connectors
FBL7-1325-250	SMA

Outline drawing



Dimensions in mm

