

**FEATURES :**

- **Small Size**
- **Narrow Passband**
- **Low Loss**

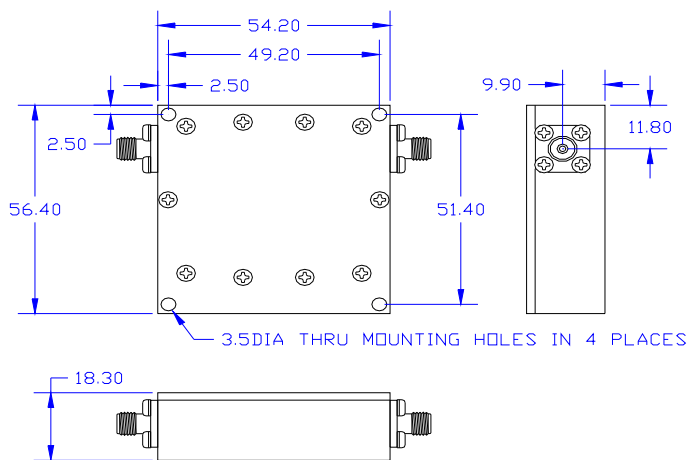
**SPECIFICATIONS**

Center Frequency, [GHz]	1.0
Insertion Loss@Center Freq. [dB]	0.9
1dB Bandwidth, [MHz] min.	20
20dB Bandwidth, [MHz] max.	65
Reject Bands, [GHz]	DC to 0.82 and 1.15 to 4
Reject Attenuation, [dB] min.	60
VSWR	1.5 : 1
Average Power, [Watts]	10
<b>Operating Characteristics</b>	
Operating Temperature	-40°C to+85°C
Impedance, [Ohm]	50

**Ordering Information**

Model No.	Connectors
FCL3-1000-20	SMA

**Outline drawing**



Dimensions in mm

Specifications Subject To Change Without Notice

**Typical Performance**

