

FEATURES :

- Small Package
- High Q Response
- Low Loss Response

SPECIFICATIONS

Center Frequency, [MHz]	1385
3dB Bandwidth, [MHz]	15
30dB Bandwidth, [MHz]	60
60dB Bandwidth, [MHz]	175
Insertion Loss@Center Freq. [dB]	1.5
VSWR	1,5 : 1
Average Power, [Watts]	5

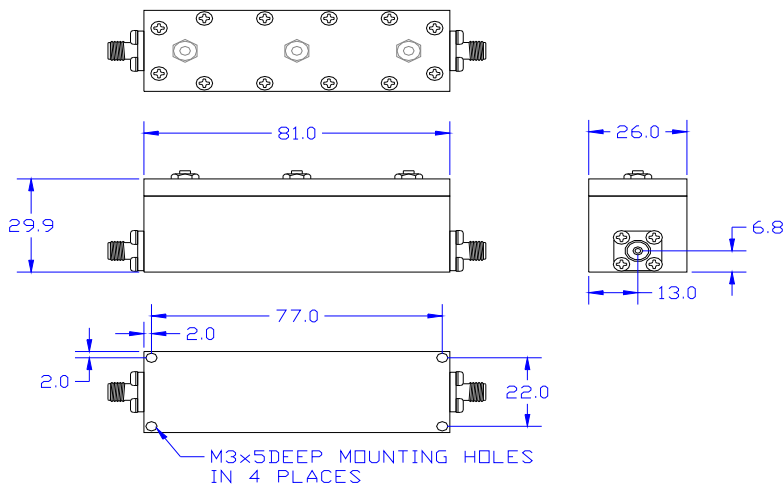
Operating Characteristics

Operating Temperature	-40°C to+85°C
Impedance, [Ohm]	50

Ordering Information

Model No.	Connectors
FCL3-1385-15-SMA	SMA
FCL3-1385-15-N	N

Outline drawing



Dimensions in mm

Specifications Subject To Change Without Notice

Typical Performance

