

**FEATURES :**

- **Small Package**
- **High Q Response**
- **Low Loss Response**

**SPECIFICATIONS**

Center Frequency, [MHz]	1900
3dB Bandwidth, [MHz] min.	400
30dB Bandwidth, [MHz] max.	910
60dB Bandwidth, [MHz] max.	2400
Insertion Loss@Center Freq. [dB]	0.5
VSWR	1.5 : 1
Average Power, [Watts]	10

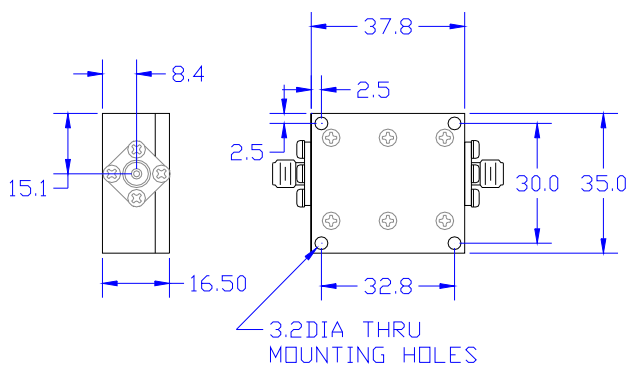
**Operating Characteristics**

Operating Temperature	
Impedance, [Ohm]	50

**Ordering Information**

Model No.	Connectors
FCL4-1900-400-SMA	SMA
FCL4-1900-400-N	N

**Outline drawing**



Dimensions in mm

Specifications Subject To Change Without Notice

**Typical Performance**

