

**FEATURES :**

- **Small Size**
- **High Power**
- **Low Loss**

**SPECIFICATIONS**

Center Frequency, [MHz]	435
Insertion Loss@Center Freq. [dB]	0.5
1dB Bandwidth, [MHz] min.	65
30dB Bandwidth, [MHz] max.	130
	DC to 290
Reject Bands, [MHz]	550 to 6000
Reject Attenuation, [dB] min.	60
VSWR	1.5 : 1
Average Power, [Watts]	25

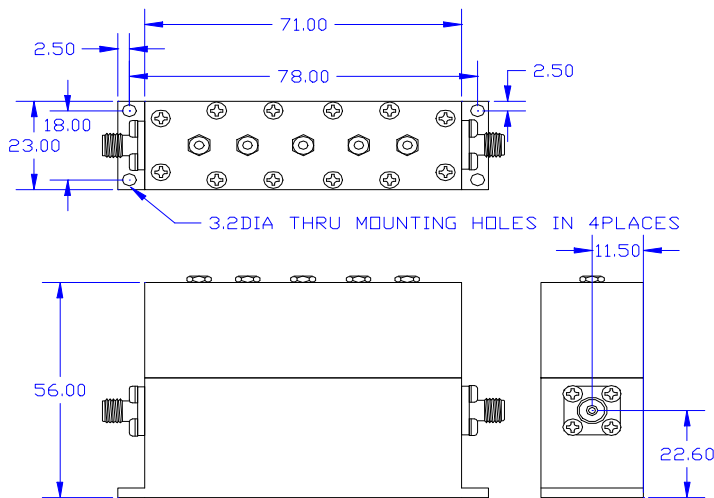
**Operating Characteristics**

Operating Temperature	-40°C to+85°C
Impedance, [Ohm]	50

**Ordering Information**

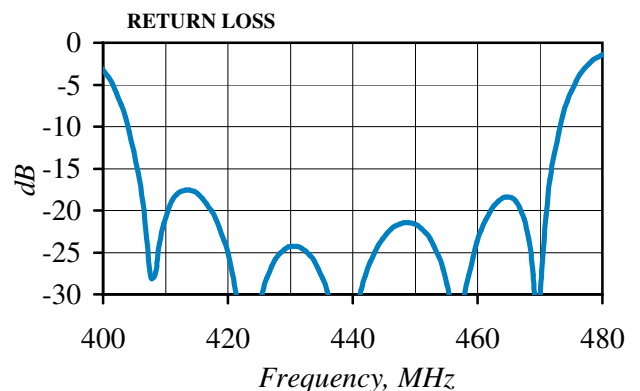
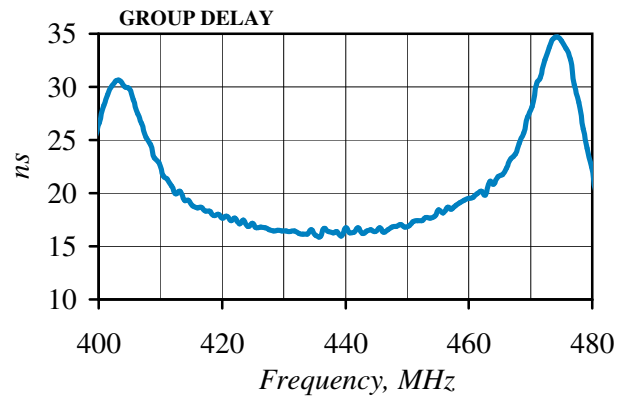
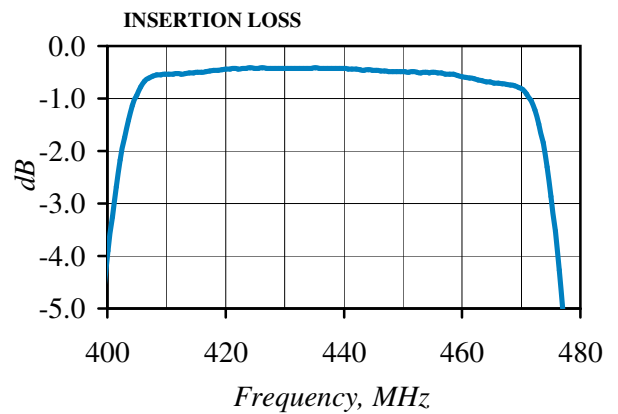
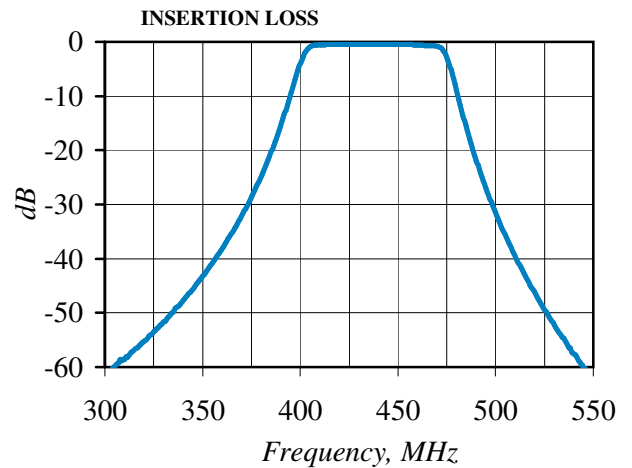
Model No.	Connectors
FCL5-435-60-SMA	SMA
FCL5-435-60-N	N

**Outline drawing**



Dimensions in mm

**Typical Performance**



Specifications Subject To Change Without Notice