

**FEATURES :**

- **Small Size**
- **High Power**
- **Narrow Bandwidth**

**SPECIFICATIONS**

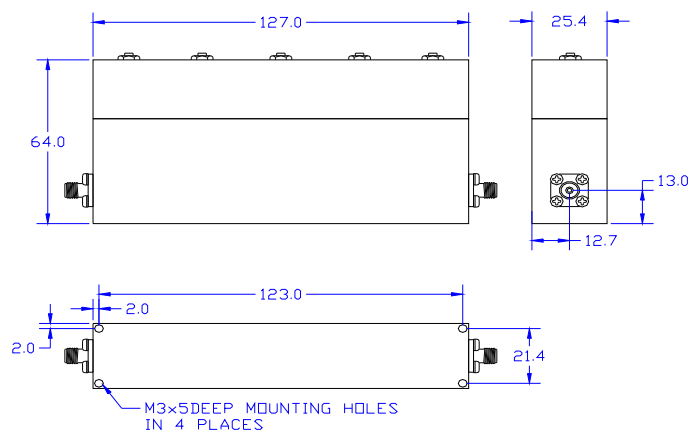
Center Frequency, [MHz]	480
Insertion Loss@Center Freq. [dB]	3
1dB Bandwidth, [MHz] min.	6
30dB Bandwidth, [MHz] max.	17
Reject Bands, [MHz]	DC to 460
Reject Attenuation, [dB] min.	500 to 3000
VSWR	70
Average Power, [Watts]	1.5 : 1
Operating Temperature	50
Impedance, [Ohm]	-40°C to+85°C

**Operating Characteristics**

**Ordering Information**

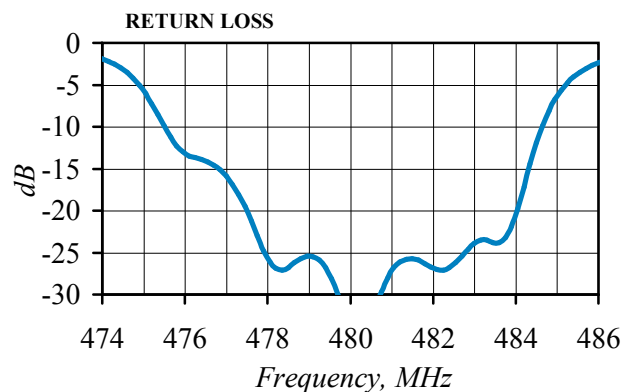
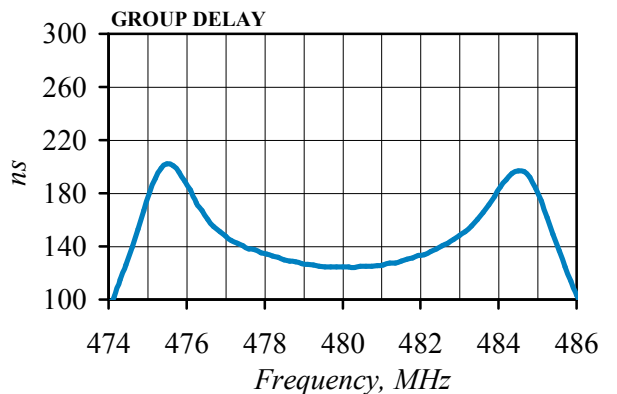
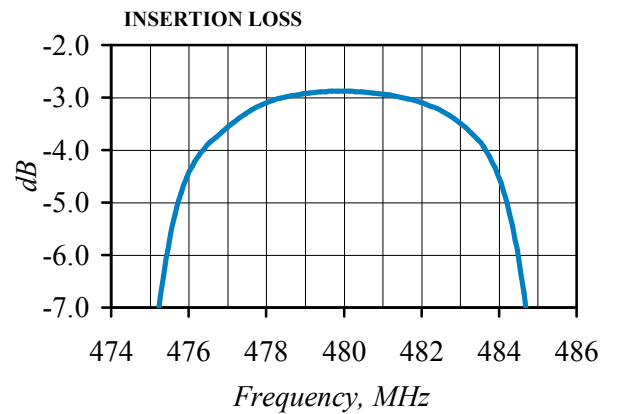
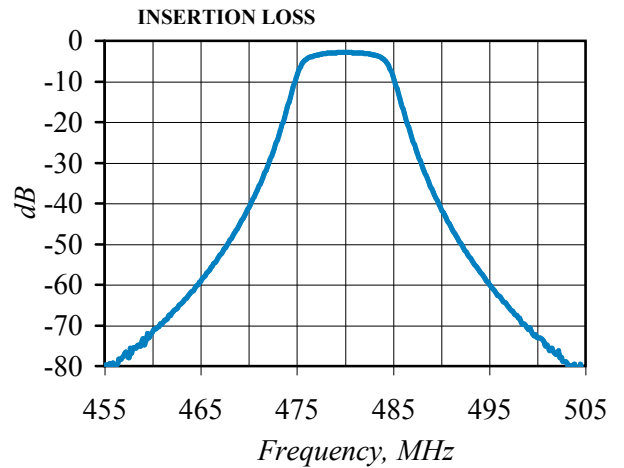
Model No.	Connectors
FCL5-480-3-SMA	SMA
FCL5-480-3-N	N

**Outline drawing**



Dimensions in mm

**Typical Performance**



Specifications Subject To Change Without Notice