

FEATURES :

- **Small Size**
- **High Power**
- **Low Loss**

SPECIFICATIONS

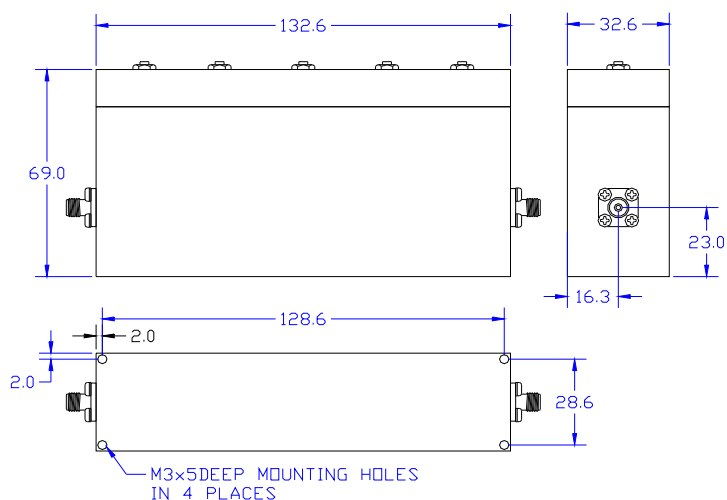
Center Frequency, [MHz]	500
Insertion Loss@Center Freq. [dB]	0.7
1dB Bandwidth, [MHz] min.	35
30dB Bandwidth, [MHz] max.	70
Reject Bands, [MHz]	DC to 420
	480 to 3000
Reject Attenuation, [dB] min.	70
VSWR	1.5 : 1
Average Power, [Watts]	100

Operating Characteristics

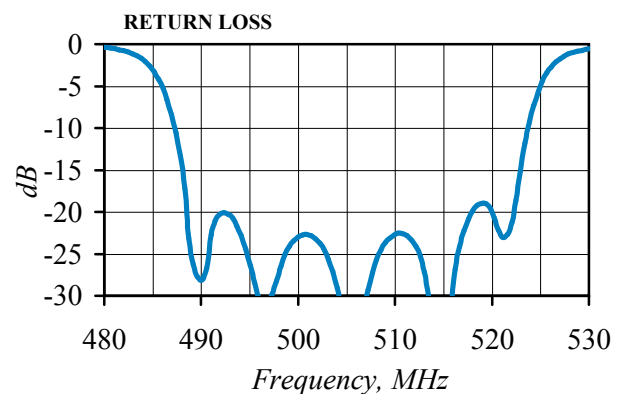
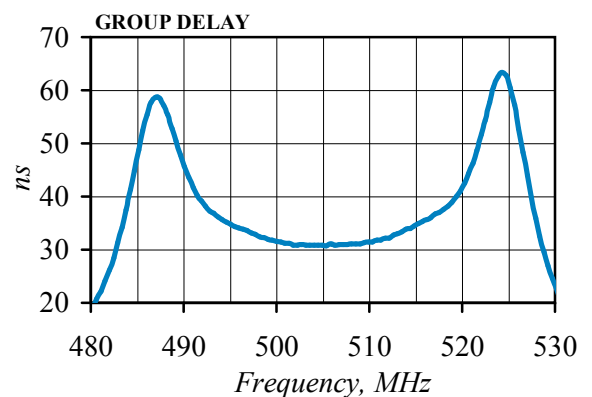
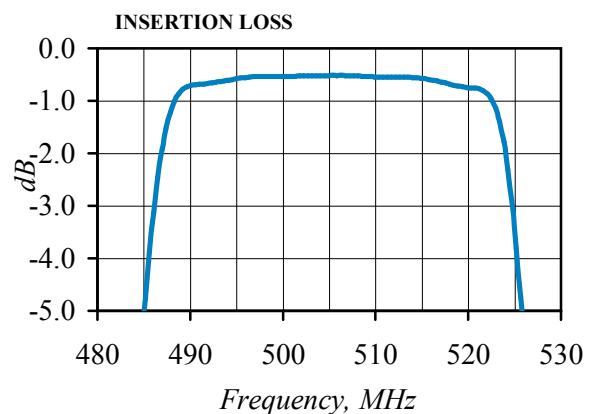
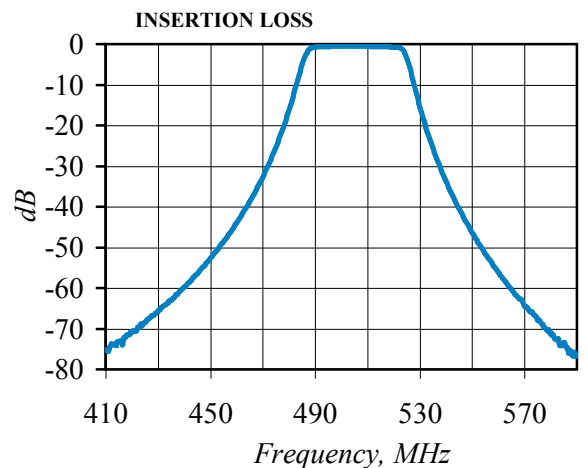
Operating Temperature	-40°C to+85°C
Impedance, [Ohm]	50

Ordering Information

Model No.	Connectors
FCL5-500-25-SMA	SMA
FCL5-500-25-N	N

Outline drawing


Dimensions in mm

Typical Performance


Specifications Subject To Change Without Notice