

FEATURES :

- **Small Package**
- **High Q Response**
- **Low Loss**

SPECIFICATIONS

Center Frequency, [MHz]	740
1dB Bandwidth, [MHz]	50
30dB Bandwidth, [MHz]	120
60dB Bandwidth, [MHz]	230
Insertion Loss@Center Freq. [dB]	0.6
VSWR	1.5 : 1
Average Power, [Watts]	25

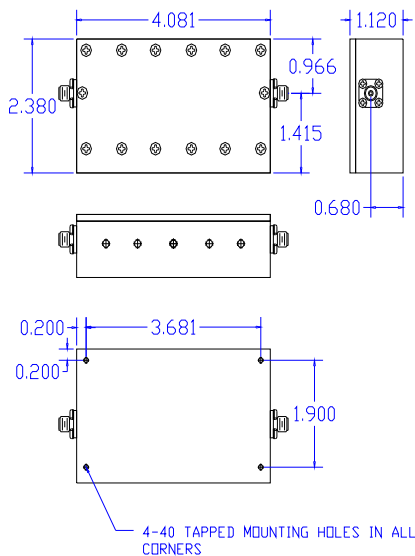
Operating Characteristics

Operating Temperature	-40°C to+85°C
Impedance, [Ohm]	50

Ordering Information

Model No.	Connectors
FCL5-740-50-SMA	SMA
FCL5-740-50-N	N

Outline drawing



Dimensions in inches

Typical Performance

