

FEATURES :

- **Small Package**
- **High Q Response**
- **Low Loss Response**

SPECIFICATIONS

Center Frequency, [MHz]	8000
3dB Bandwidth, [MHz] min.	200
30dB Bandwidth, [MHz] max.	370
60dB Bandwidth, [MHz] max.	700
Insertion Loss@Center Freq. Typ./max [c	1.6/2.0
VSWR	1.5 : 1
Average Power, [Watts]	5

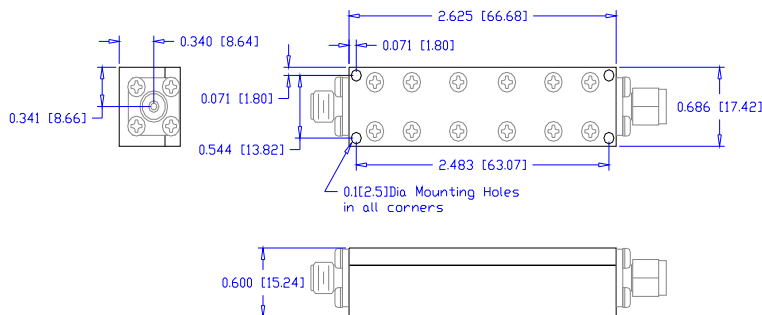
Operating Characteristics

Operating Temperature	-40°C to+85°C
Impedance, [Ohm]	50

Ordering Information

Model No.	Connectors
FCL5-8000-200-SMA	SMA
FCL5-8000-200-N	N

Outline drawing



Dimensions in inches [mm]

Specifications Subject To Change Without Notice

Typical Performance

