

FEATURES :

- **Small Package**
- **High Q Response**
- **Low Loss**

SPECIFICATIONS

Center Frequency, [MHz]	3650
1dB Bandwidth, [MHz]	550
30dB Bandwidth, [MHz]	970
60dB Bandwidth, [MHz]	1600
Insertion Loss@Center Freq. [dB]	0.4
VSWR	1.5 : 1
Average Power, [Watts]	10

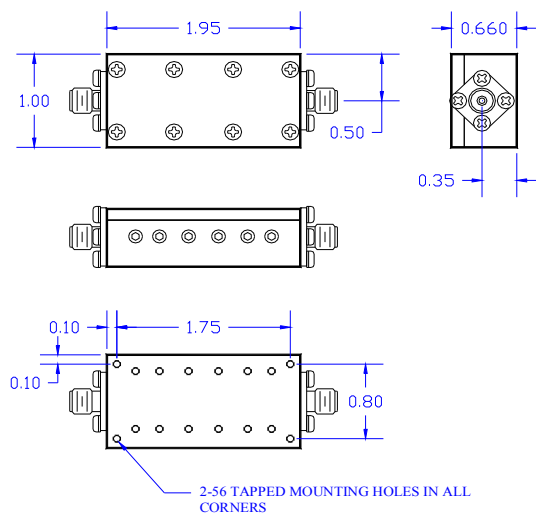
Operating Characteristics

Operating Temperature	-40°C to+85°C
Impedance, [Ohm]	50

Ordering Information

Model No.	Connectors
FCL6-3650-500-SMA	SMA
FCL6-3650-500-N	N

Outline drawing



Dimensions in inches

Specifications Subject To Change Without Notice

Typical Performance

