

FEATURES :

- **Small Package**
- **Low Loss**
- **Wide Stopband**

SPECIFICATIONS

Center Frequency, [MHz]	3950
1dB Bandwidth, [MHz]	550
Insertion Loss@Center Freq. [dB]	0.4
	DC to 2.9
Reject Bands, [GHz]	4.7 to 15
Reject Attenuation, [dB] min.	60
VSWR	1.5 : 1
Average Power, [Watts]	10

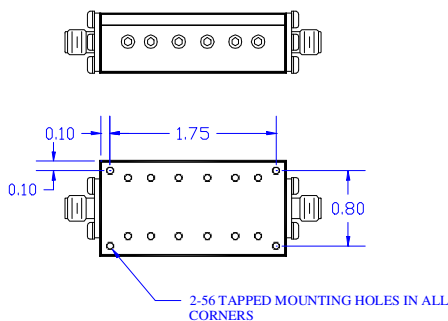
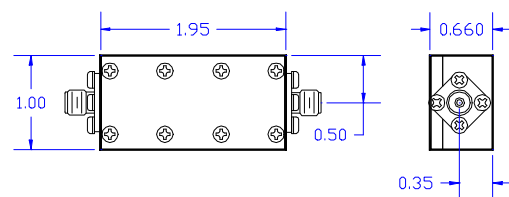
Operating Characteristics

Operating Temperature	-40°C to+85°C
Impedance, [Ohm]	50

Ordering Information

Model No.	Connectors
FCL6-3950-500-SMA	SMA
FCL6-3950-500-N	N

Outline drawing



Dimensions in inches

Specifications Subject To Change Without Notice

Typical Performance

