

FEATURES :

- Wide Stopband
- Small Size
- Steep Rejection
- Low Loss

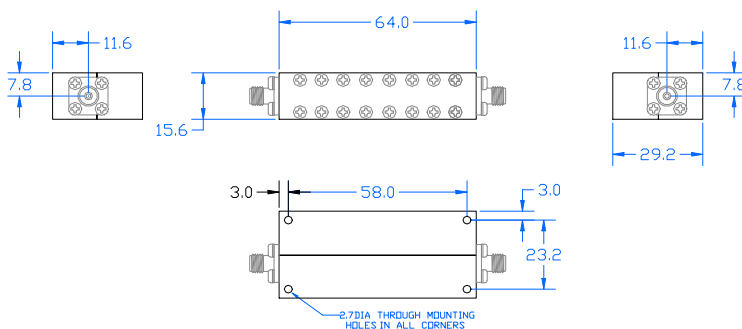
SPECIFICATIONS

Center Frequency, [GHz]	1.5
Insertion Loss@Center Freq. [dB]	1.0
3dB Bandwidth, [MHz] min.	200
20dB Bandwidth, [MHz] max.	250
Reject Bands, [GHz]	DC to 1.27 and 1.7 to 17GHz
Reject Attenuation, [dB] min.	60
VSWR	1.5 : 1
Average Power, [Watts]	5
Operating Characteristics	
Operating Temperature	-40°C to +85°C
Impedance, [Ohm]	50

Ordering Information

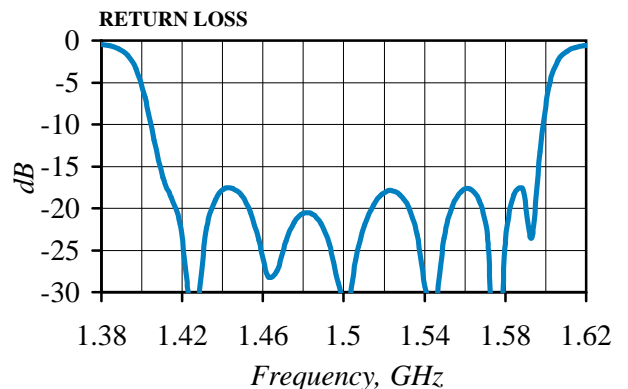
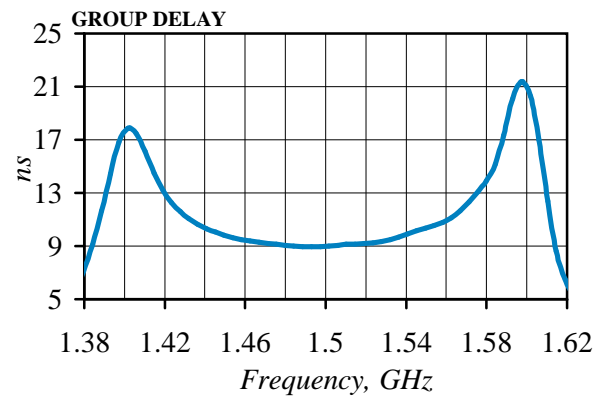
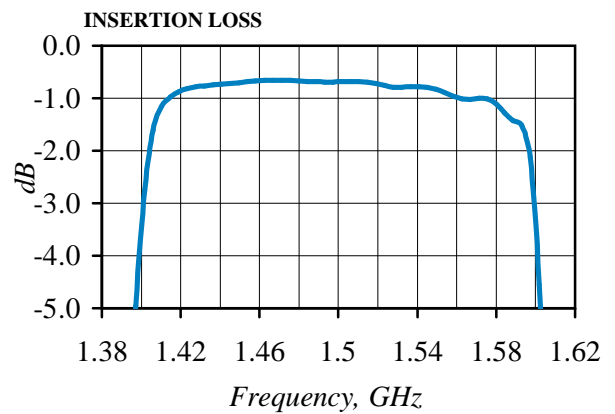
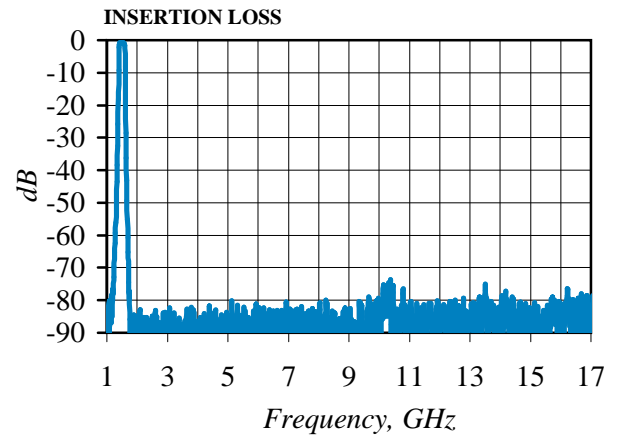
Model No.	Connectors
FCL7-1500-200	SMA

Outline drawing



Dimensions in mm

Typical Performance



Specifications Subject To Change Without Notice