

**FEATURES :**

- Wide Stopband
- Steep Rejection
- Low Loss

**SPECIFICATIONS**

Center Frequency, [GHz]	1.3
Insertion Loss@Center Freq. [dB]	0.5
1dB Bandwidth, [MHz] min.	200
30dB Bandwidth, [MHz] max.	285
Reject Bands, [GHz]	DC to 1.09 and 1.49 to 5.9
Reject Attenuation, [dB] min.	60
VSWR	1.5 : 1
Average Power, [Watts]	25

**Operating Characteristics**

Operating Temperature	-40°C to +85°C
Impedance, [Ohm]	50

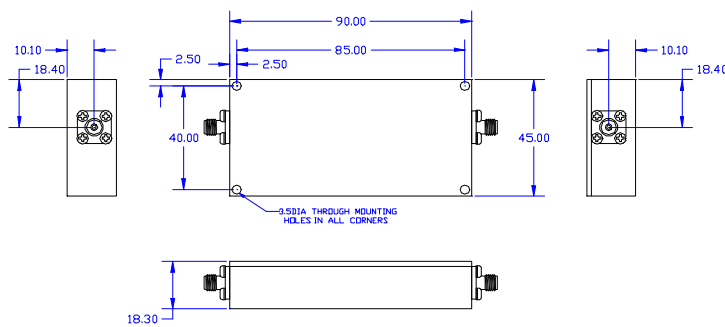
**Ordering Information**

Model No.	Connectors
FCL8-1300-200	SMA

**Mechanical**

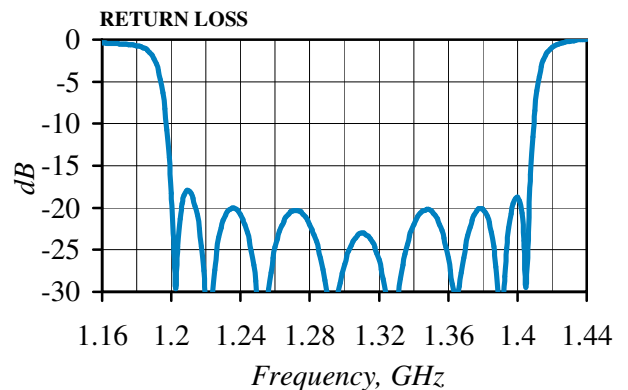
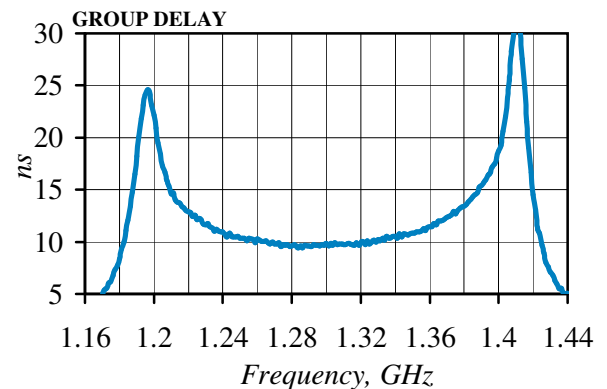
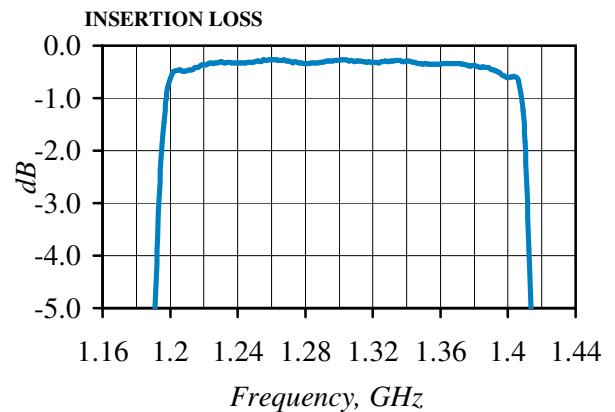
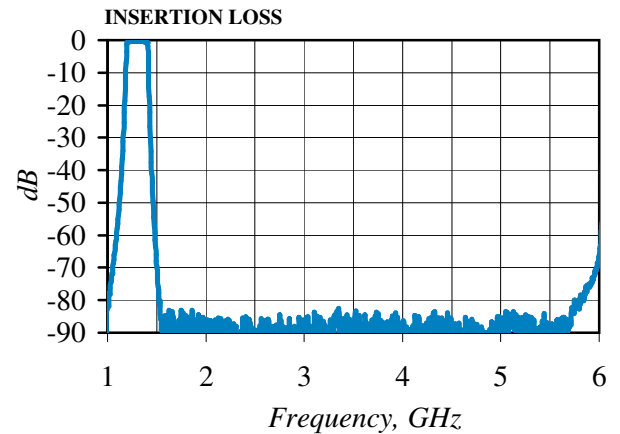
Dimensions, [mm]	90x45x18.3
Weight, [g]	140

**Outline drawing**



Dimensions in mm

**Typical Performance**



Specifications Subject To Change Without Notice