

**FEATURES :**

- Wide Stopband
- Small Size
- Flat Group Delay
- Low Loss

**SPECIFICATIONS**

Passband Frequency, [GHz]	1.132 to 1.595
Passband Loss, [dB] max.	0.5
Group delay variation in passband, [ns] max.	2
Reject Bands, [GHz]	DC to 0.976 and 1.750 to 8
Reject Attenuation, [dB] min.	20
VSWR	1.5 : 1
Average Power, [Watts]	5

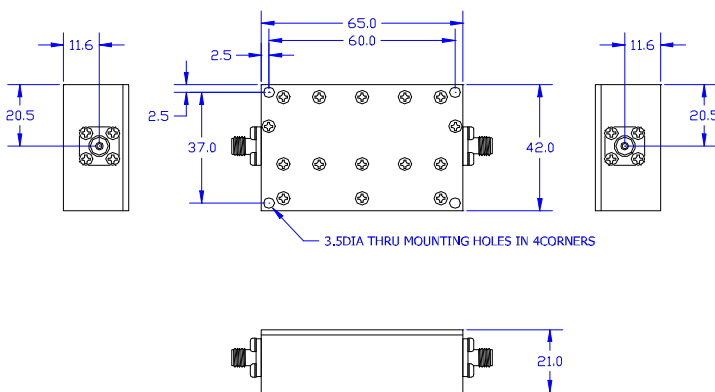
**Operating Characteristics**

Operating Temperature	-40°C to +85°C
Impedance, [Ohm]	50

**Ordering Information**

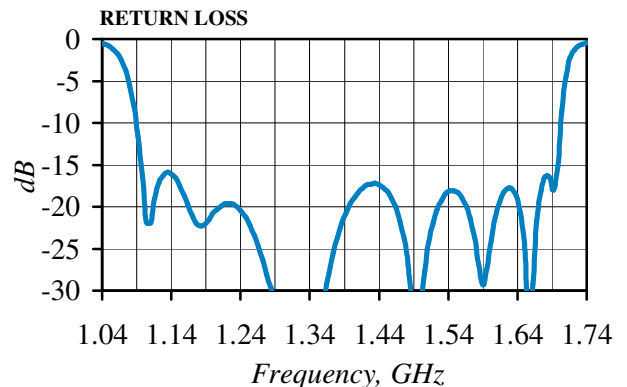
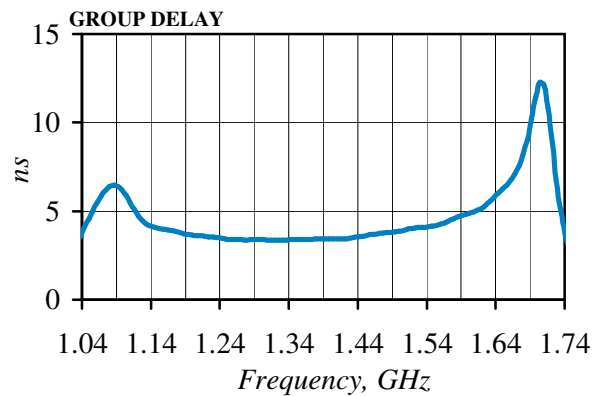
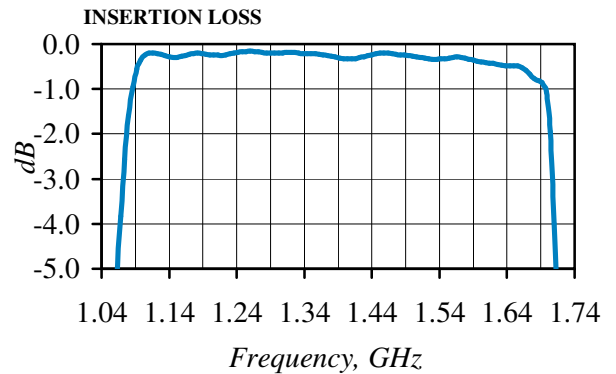
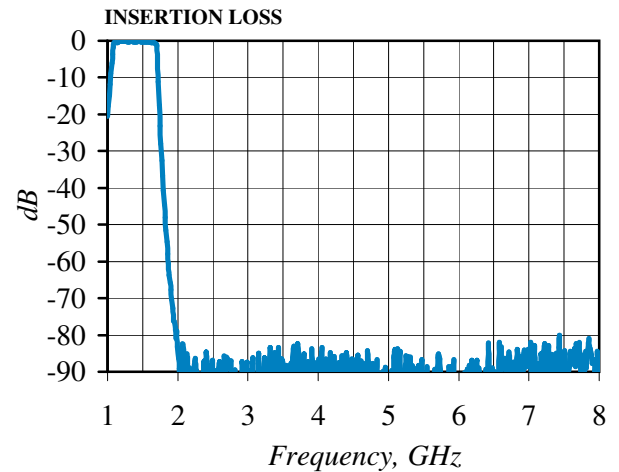
Model No.	Connectors
FCL8-1376-420	SMA

**Outline drawing**



Dimensions in mm

**Typical Performance**



Specifications Subject To Change Without Notice