

FEATURES :

- *Steep Rejection*
- *Small Size*
- *Low Loss*

SPECIFICATIONS

3dB Corner Frequency, [GHz] typ.	1.86
Passband Frequency, GHz	2 to 6
Passband Loss, [dB] max.	1.0
Stopband Frequency, GHz	DC to 1.48
Stopband Rejection, [dB] min.	60
VSWR	1.5 : 1

Operating Characteristics

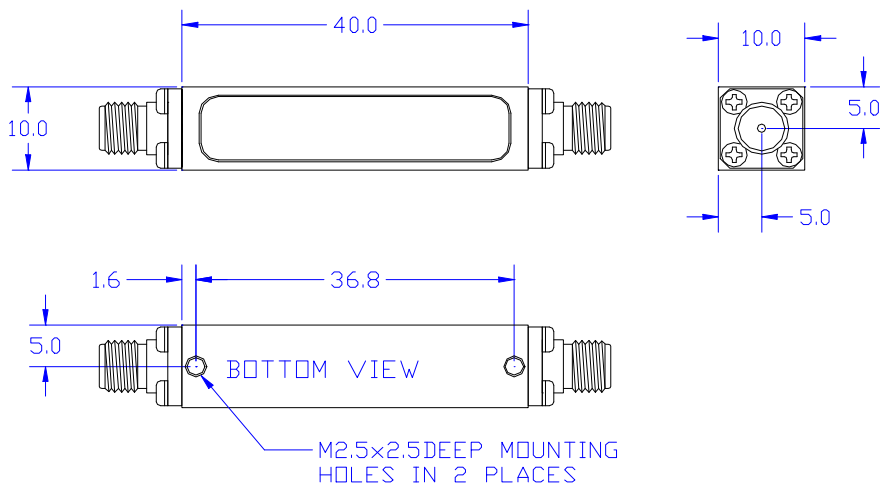
Input Power, [W] with matched load	1
Impedance, [Ohm]	50
Connectors	SMA female
Operating Temperature	-20°C to +70°C

Ordering Information

Model No.

FHL13-2000

Outline drawing dimensions in mm



Typical Performance

