

FEATURES :

- *Steep Rejection*
- *Small Size*
- *Wide Passband*

SPECIFICATIONS

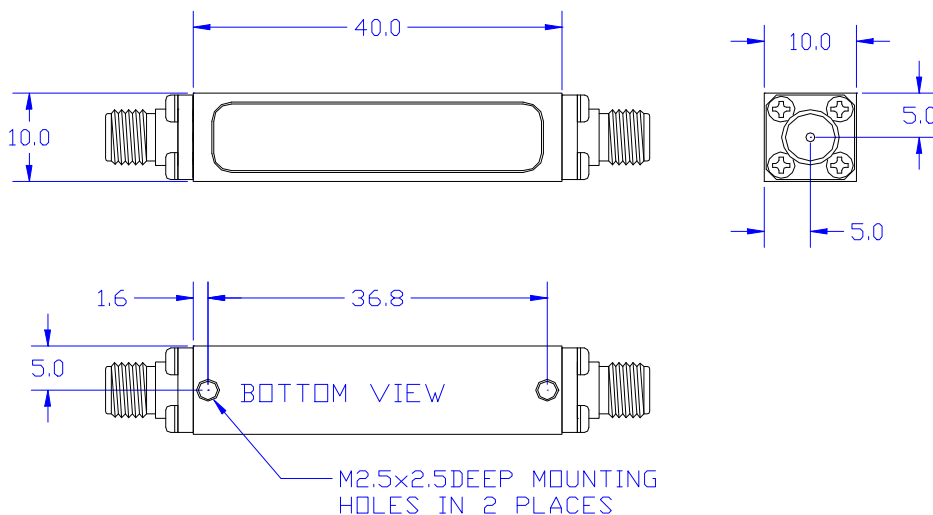
3dB Corner Frequency, [GHz] typ.	2.6
Passband Frequency, GHz	3 to 12
Passband Loss, [dB] max.	1.0
Stopband Frequency, GHz	DC to 2.1
Stopband Rejection, [dB] min.	60
VSWR	1.7 : 1
Operating Characteristics	
Input Power, [W] with matched load	1
Impedance, [Ohm]	50
Connectors	SMA female
Operating Temperature	-20°C to +70°C

Ordering Information

Model No.

FHL13-3000

Outline drawing dimensions in mm



Typical Performance

