

FEATURES :

- *Low Loss*
- *Small Size*
- *Wide Passband*

SPECIFICATIONS

3dB Corner Frequency, [MHz] typ.	0.5
Passband Frequency, MHz	0.9 to 2000
Passband Loss, [dB] max.	0.5
Stopband Frequency, MHz	DC to 0.1
Stopband Rejection, [dB] min.	60
VSWR	1.5 : 1

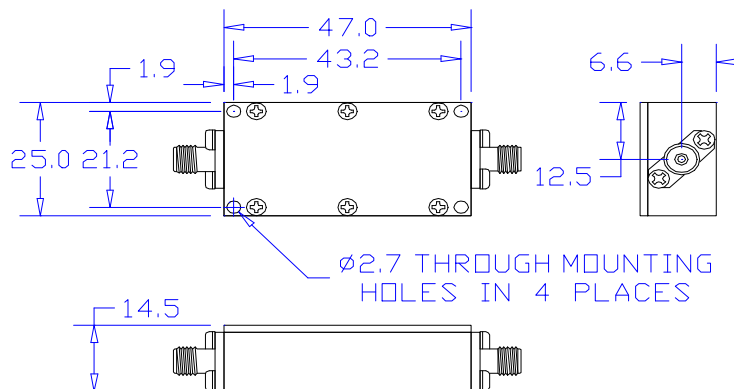
Operating Characteristics

Input Power, [W] with matched load	1
Impedance, [Ohm]	50
Connectors	SMA, N
Operating Temperature	-20°C to +70°C

Ordering Information

Model No.	Connectors
FHL5-0.5-SMA	SMA
FHL5-0.5-N	N

Outline drawing dimensions in mm



Typical Performance

