

FEATURES :

- **Low Loss**
- **Small Size**
- **Wide Passband**

SPECIFICATIONS

3dB Corner Frequency, [MHz] typ.	27.8
Passband Frequency, MHz	30 to 3000
Passband Loss, [dB] max.	1.0
Stopband Rejection, DC to 10MHz, [dB] typ.	100
Stopband Rejection @20MHz, [dB] min.	40
VSWR, max	1.3:1

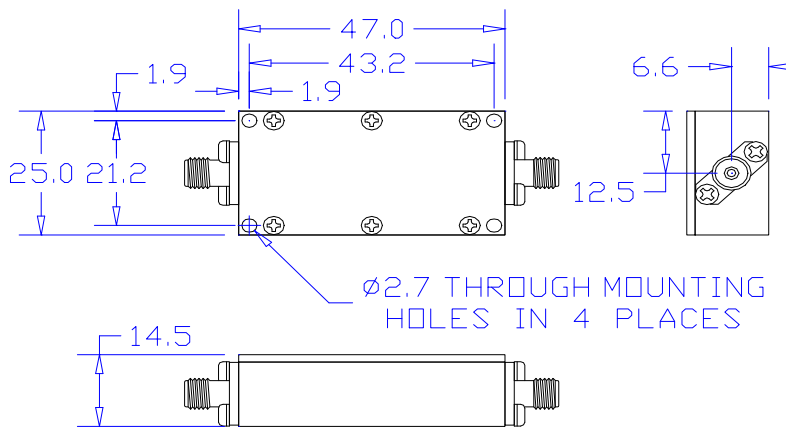
Operating Characteristics

Input Power, [W] with matched load	1
Impedance, [Ohm]	50
Connectors	SMA, N
Operating Temperature	-40°C to +85°C

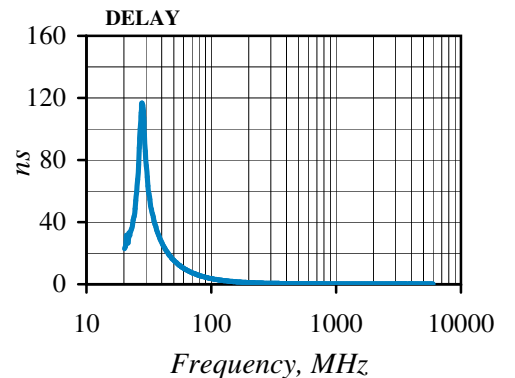
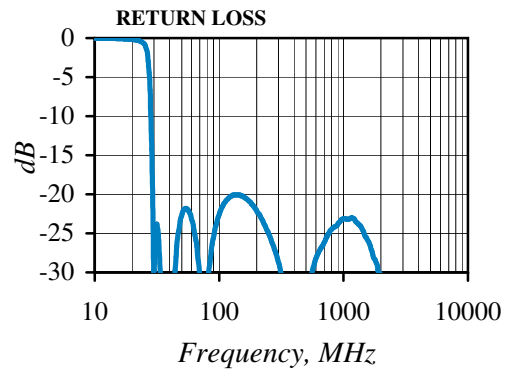
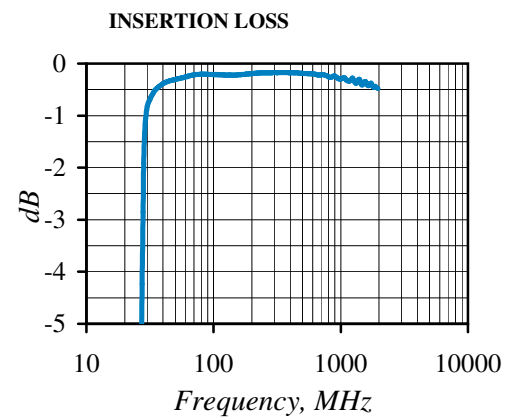
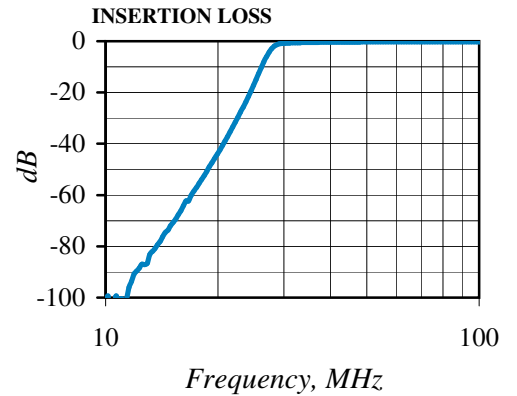
Ordering Information

Model No.	Connectors
FHL9-30-SMA	SMA
FHL9-30-N	N

Outline drawing dimensions in mm



Typical Performance



Specifications Subject To Change Without Notice