

FEATURES :

- *Low Loss*
- *Small Size*
- *Wide Passband*

SPECIFICATIONS

3dB Corner Frequency, [MHz] typ.	67
Passband Frequency, MHz	75 to 2000
Passband Loss, [dB] max.	0.5
Stopband Frequency, MHz	DC to 40
Stopband Rejection, [dB] min.	60
VSWR	1.5 : 1

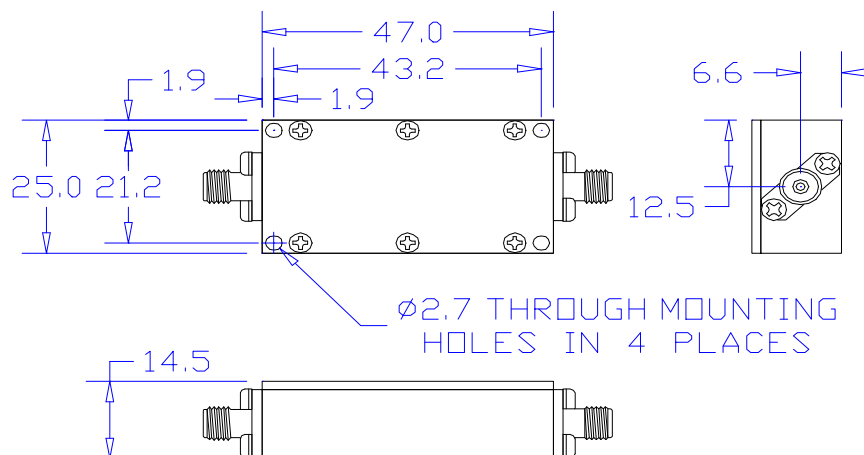
Operating Characteristics

Input Power, [W] with matched load	5
Impedance, [Ohm]	50
Connectors	SMA, N
Operating Temperature	-20°C to +70°C

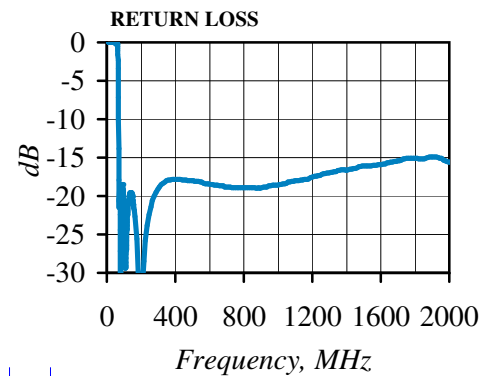
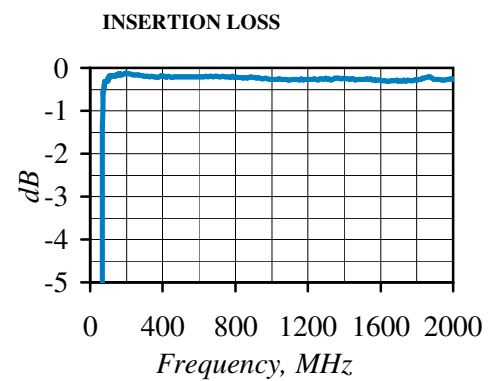
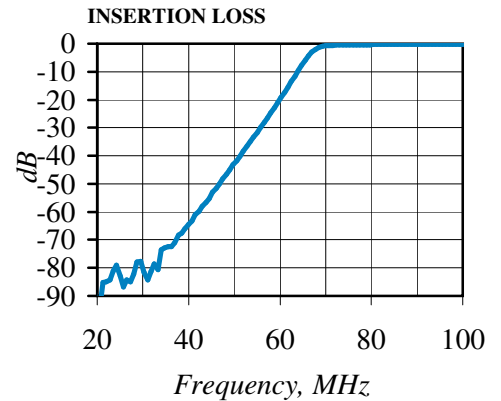
Ordering Information

Model No.	Connectors
FHL9-70-SMA	SMA
FHL9-70-N	N

Outline drawing dimensions in mm



Typical Performance



Specifications Subject To Change Without Notice