

FEATURES :

- *Steep Rejection*
- *Small Size*
- *Wide Stopband*

SPECIFICATIONS

1dB Corner Frequency, [MHz] min.	2690
Rejection: 3.6GHz to 8GHz, [dB] min.	60
8GHz to 20GHz, [dB] min.	40
20GHz to 26GHz, [dB] min.	20
VSWR	1.5 : 1

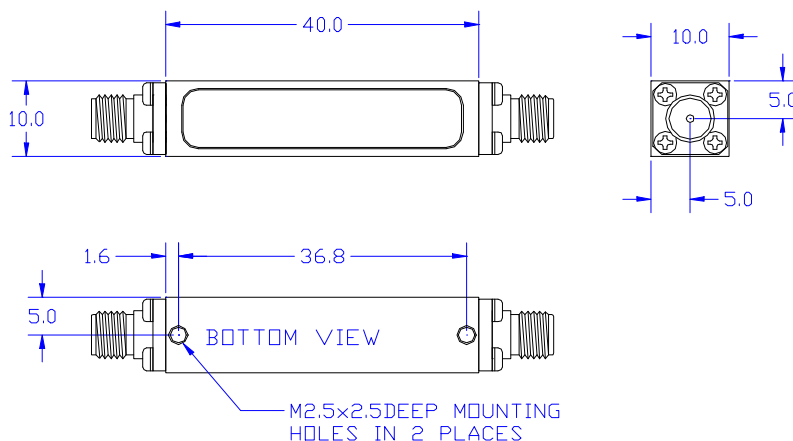
Operating Characteristics

Input Power, DC to 2690MHz, [W] with matched load	10
Input Power, 2.69 to 6GHz, [W]	2
Input Power, 6 to 26GHz, [W]	0.1
Impedance, [Ohm]	50
Connectors	SMA female
Operating Temperature	-20°C to +70°C

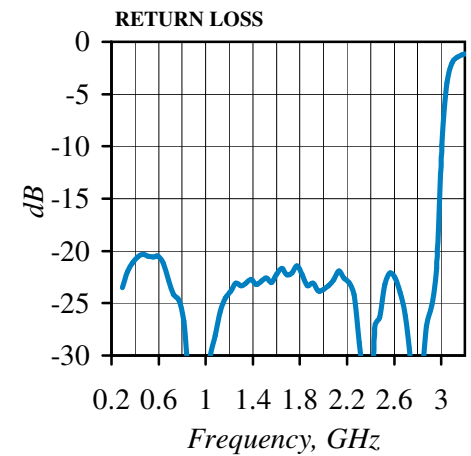
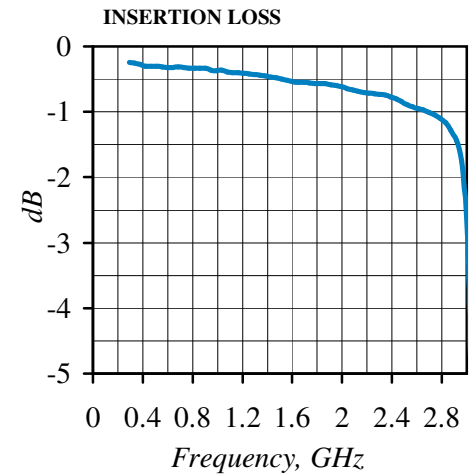
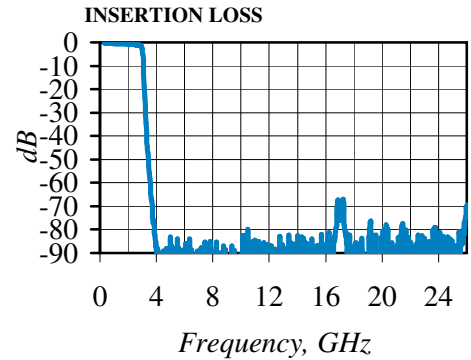
Ordering Information

Model No.

FLL17-2690



Typical Performance



Specifications Subject To Change Without Notice