

FEATURES :

- *Integrated Delay Equalizer*
- *Steep Rejection*
- *Small Size*

SPECIFICATIONS

3dB Corner Frequency, [MHz] min.	920
Passband Loss DC to 800MHz, [dB] max.	1.0
Rejection 1300MHz to 8GHz, [dB] min.	60
Delay variation to 800MHz, [ns] max.	1.0
VSWR	1.5 : 1

Operating Characteristics

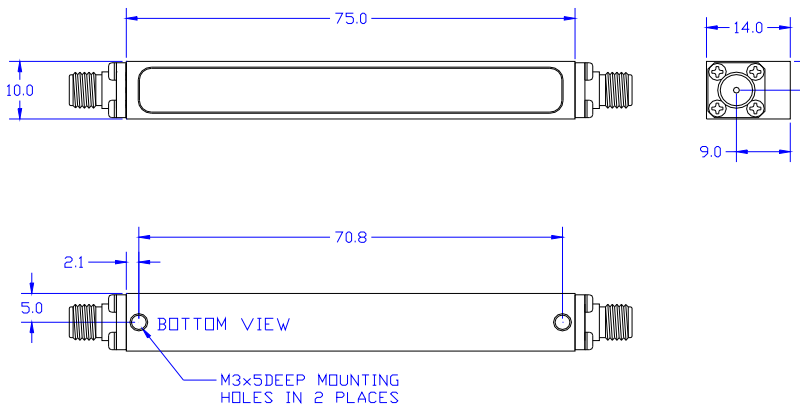
Input Power, [W] with matched load	1
Impedance, [Ohm]	50
Connectors	SMA female
Operating Temperature	-20°C to +70°C

Ordering Information

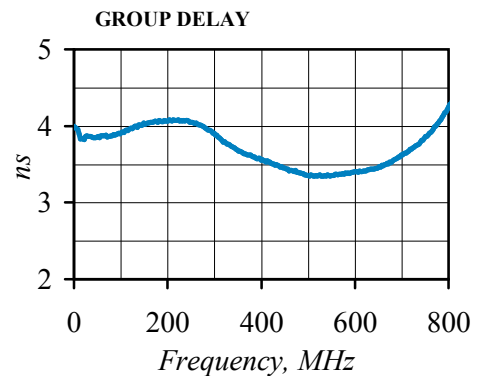
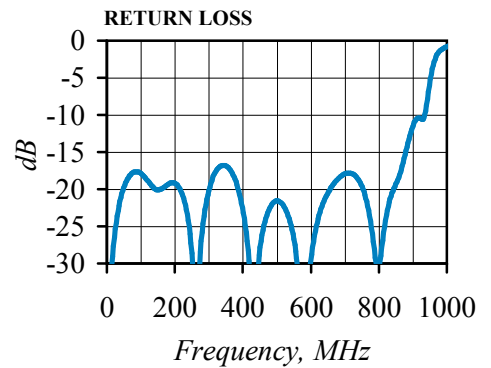
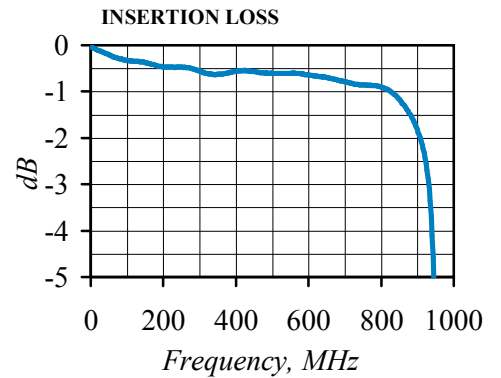
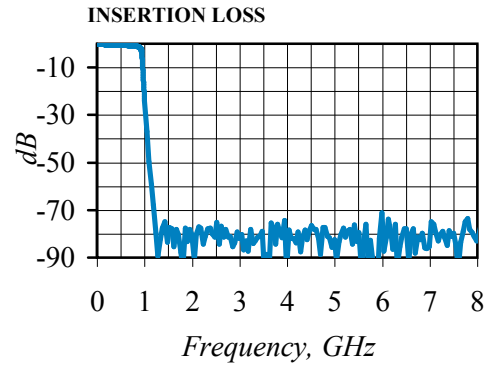
Model No.

FLL17-800Q

Outline drawing dimensions in mm



Typical Performance



Specifications Subject To Change Without Notice