

FEATURES :

- *Small Size*
- *Steep Rejection*
- *Wide Stopband*

SPECIFICATIONS

3dB Corner Frequency, [MHz] min.	910
Passband Loss DC to 700MHz, [dB] max.	0.8
Rejection 1020MHz to 10GHz, [dB] min.	60
VSWR	1.5 : 1

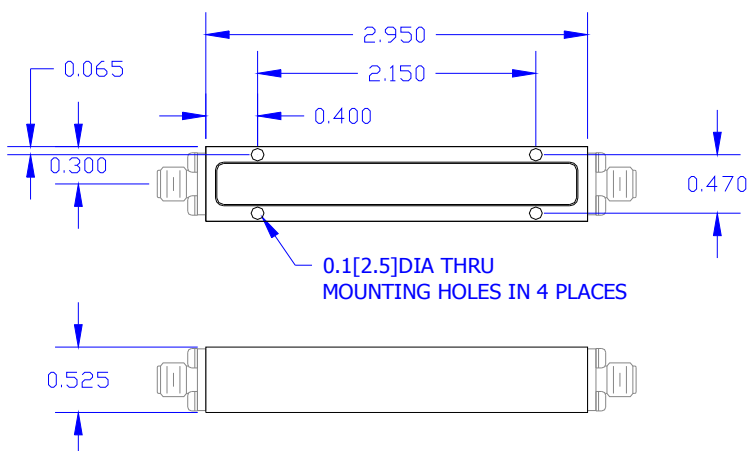
Operating Characteristics

Input Power, [W] with matched load	5
Impedance, [Ohm]	50
Connectors	SMA female
Operating Temperature	-20°C to +70°C

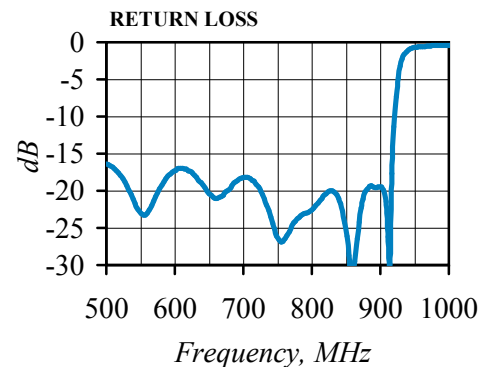
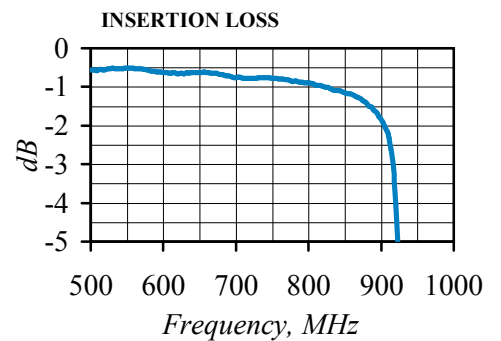
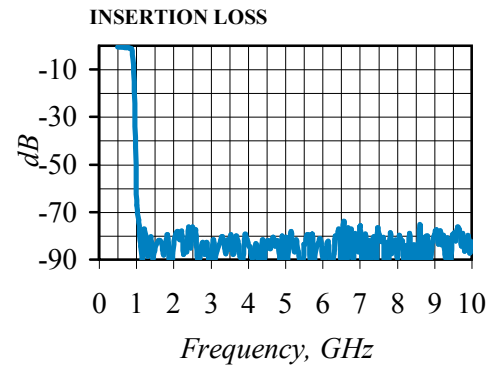
Ordering Information

Model No.
FLL21-900

Outline drawing dimensions in mm



Typical Performance



Specifications Subject To Change Without Notice