

FEATURES :

- Ultra low group delay variation
- Flat amplitude in passband
- Customized frequency and bandwidth options available

SPECIFICATIONS

Center Frequency, [MHz]	140
2.5dB Bandwidth, min [MHz]	15.75
6.5dB Bandwidth, max [MHz]	18
35dB Bandwidth, max [MHz]	26.5
Insertion Loss @ CF [dB]	10 ±1
Group Delay @ CF ±6.3 MHz [ns]	4
VSWR	1.3 : 1

Operating Characteristics

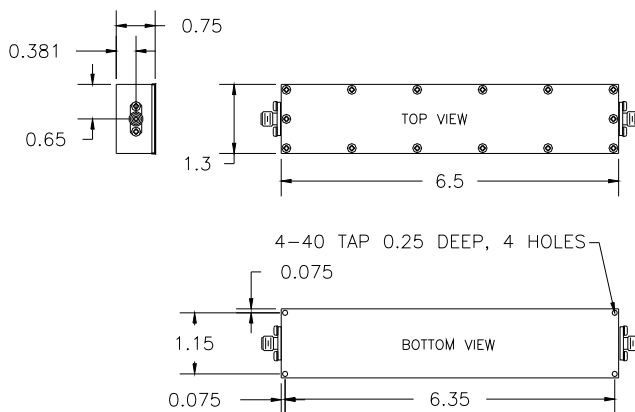
Operating Temperature	0°C to+70°C
Impedance, [Ohm]	75

Ordering Information

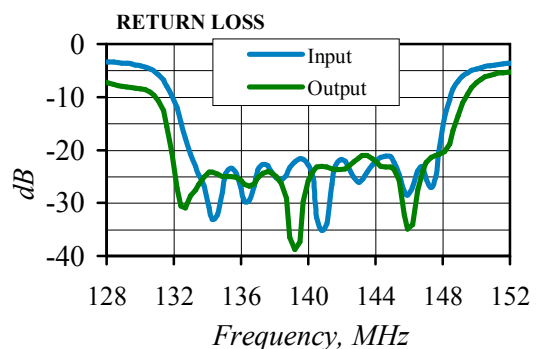
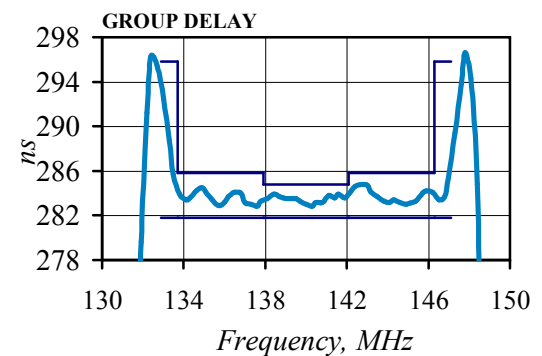
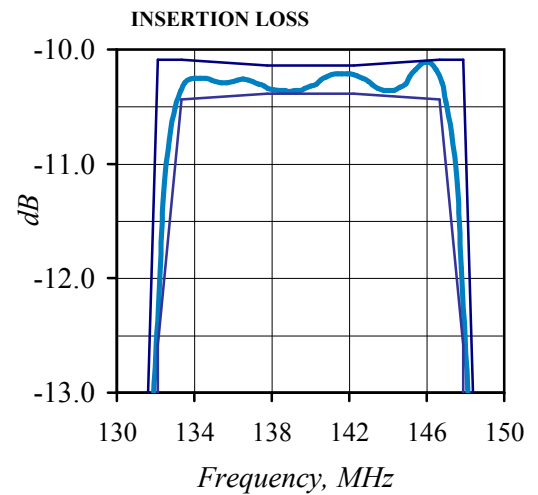
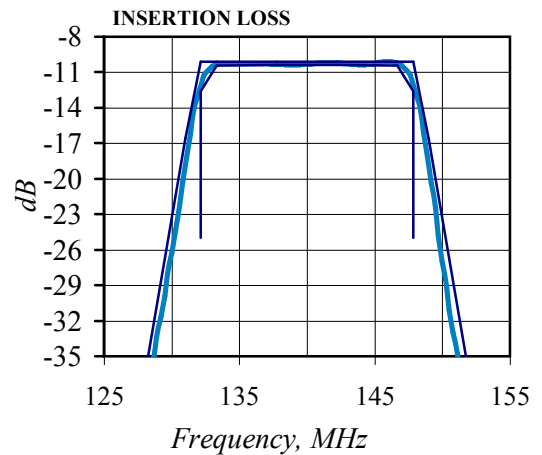
Model No.	Connectors
FLT/EQ-140-17.5-SMA	SMA
FLT/EQ-140-17.5-BNC	BNC

Outline drawing

Dimensions in inches



Typical Performance



Specifications Subject To Change Without Notice