

FEATURES :

- Ultra low group delay variation
- Flat amplitude in passband
- Customized frequency and bandwidth options available

SPECIFICATIONS

Center Frequency, [MHz]	140
2.5dB Bandwidth, min [MHz]	36
10dB Bandwidth, max [MHz]	45.25
35dB Bandwidth, max [MHz]	68.5
Insertion Loss @ CF [dB]	10 ±1
Group Delay @ CF ±14.4MHz, [ns]	4
VSWR	1.3 : 1

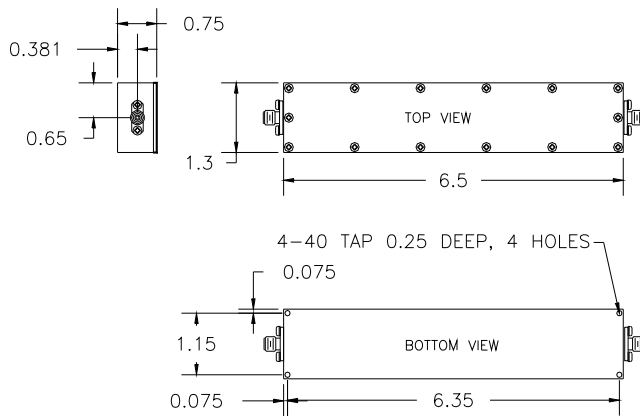
Operating Characteristics

Operating Temperature	0°C to+70°C
Impedance, [Ohm]	75

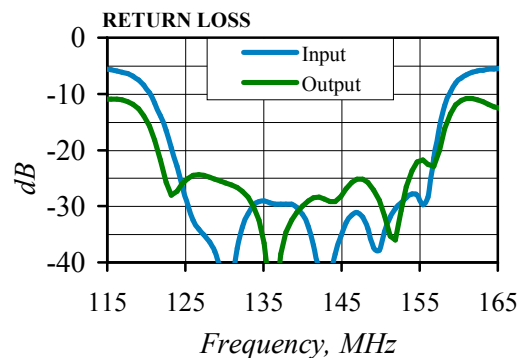
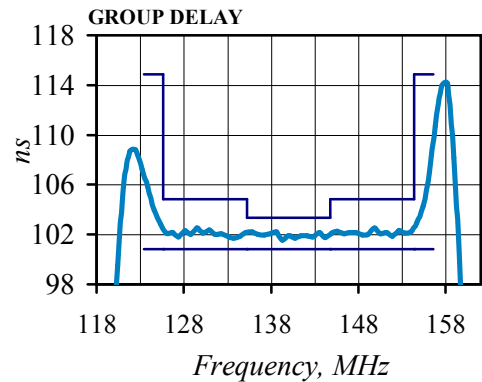
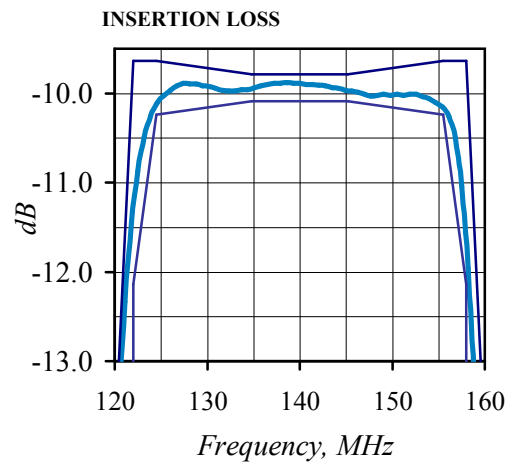
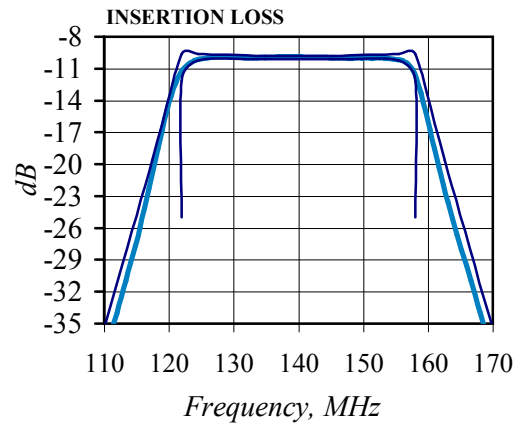
Ordering Information

Model No.	Connectors
FLT/EQ-140-36-SMA	SMA
FLT/EQ-140-36-BNC	BNC

Outline drawing Dimensions in inches



Typical Performance



Specifications Subject To Change Without Notice