

FEATURES :

- Ultra low group delay variation
- Flat amplitude in passband
- Customized frequency and bandwidth options available

SPECIFICATIONS

Center Frequency, [MHz]	70
2.5dB Bandwidth, min [MHz]	14.4
7dB Bandwidth, max [MHz]	16.53
34dB Bandwidth, max [MHz]	24.23
Insertion Loss @ CF [dB]	10 ±1
Group Delay @ CF±5.76MHz [ns]	5
VSWR	1,2 : 1

Operating Characteristics

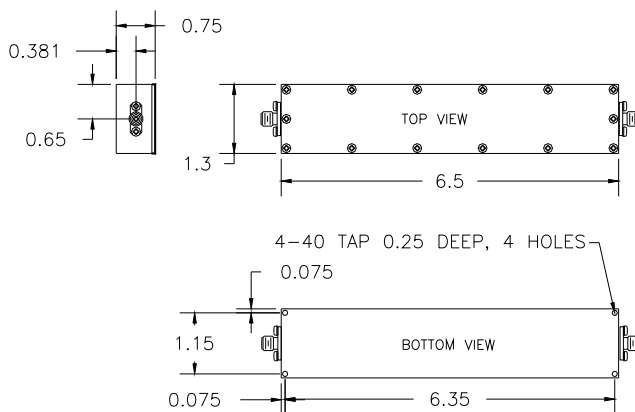
Operating Temperature	0°C to +70°C
Impedance, [Ohm]	75

Ordering Information

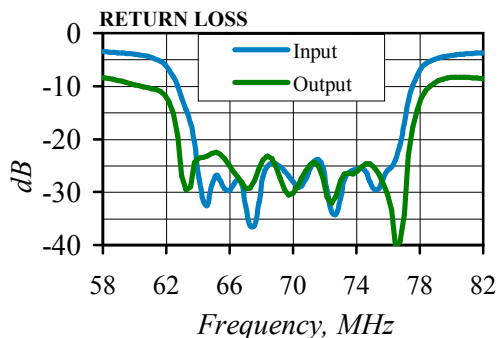
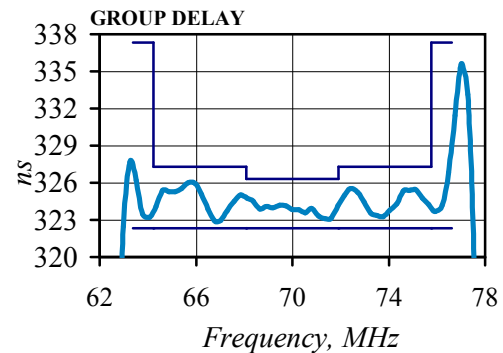
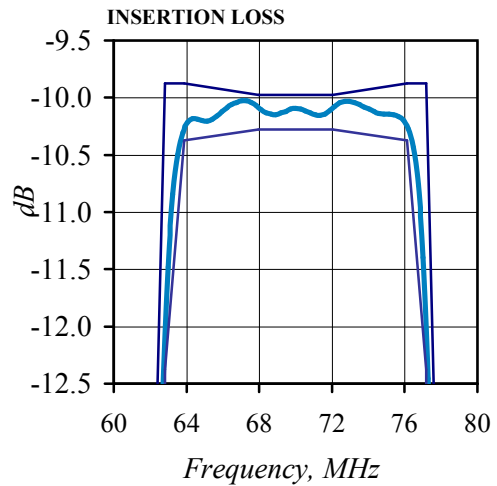
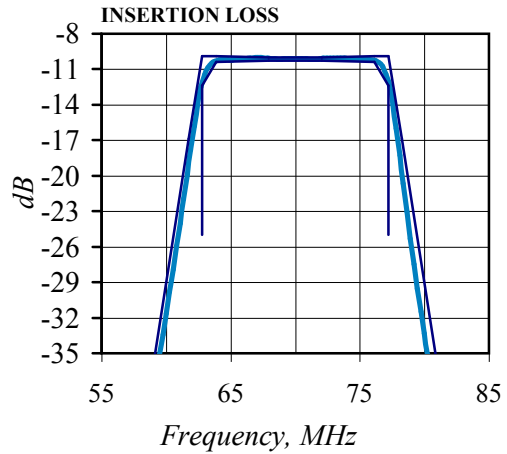
Model No.	Connectors
FLT/EQ-70-16-SMA	SMA
FLT/EQ-70-16-BNC	BNC

Outline drawing

Dimensions in inches



Typical Performance



Specifications Subject To Change Without Notice