

FEATURES :

- Ultra low group delay variation
- Flat amplitude in passband
- Customized frequency and bandwidth options available

SPECIFICATIONS

Center Frequency, [MHz]	70
2.5dB Bandwidth, min [MHz]	22.5
9dB Bandwidth, max [MHz]	25.75
35dB Bandwidth, max [MHz]	35.2
Insertion Loss @ CF [dB]	10 ±1
Group Delay @ CF ±9 MHz [ns]	4
VSWR	1,2 : 1

Operating Characteristics

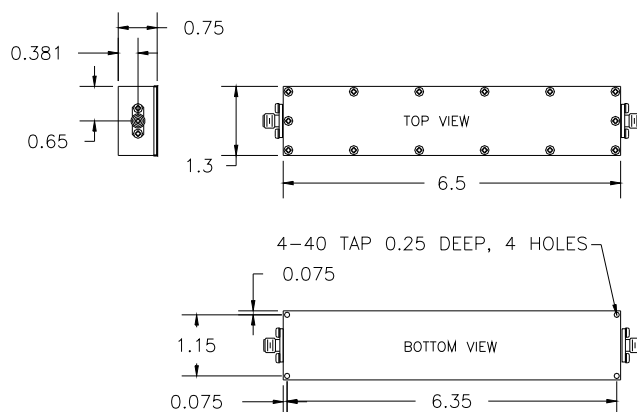
Operating Temperature	0°C to+70°C
Impedance, [Ohm]	75

Ordering Information

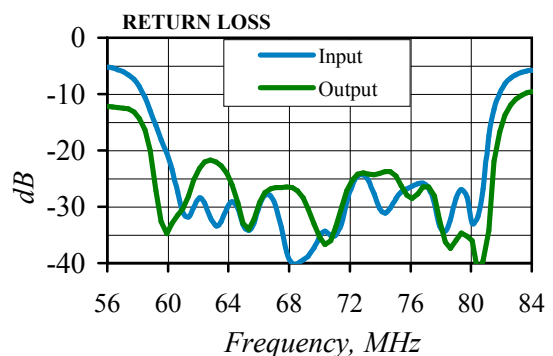
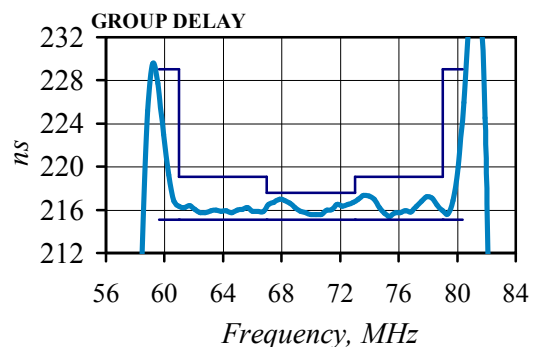
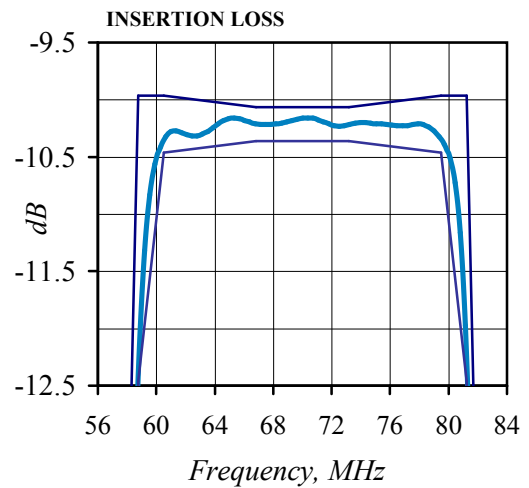
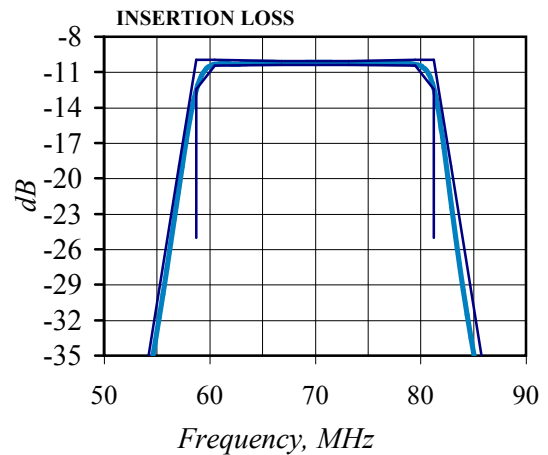
Model No.	Connectors
FLT/EQ-70-25-SMA	SMA
FLT/EQ-70-25-BNC	BNC

Outline drawing

Dimensions in inches



Typical Performance



Specifications Subject To Change Without Notice