

**FEATURES :**

- Ultra low group delay variation
- Flat amplitude in passband
- Customized frequency and bandwidth options available

**SPECIFICATIONS**

Center Frequency, [MHz]	70
2.5dB Bandwidth, min [MHz]	30
10dB Bandwidth, max [MHz]	37.7
35dB Bandwidth, max [MHz]	57.1
Insertion Loss @ CF [dB]	10 ±1
Group Delay @ CF ±12 MHz [ns]	4
VSWR	1,2 : 1

**Operating Characteristics**

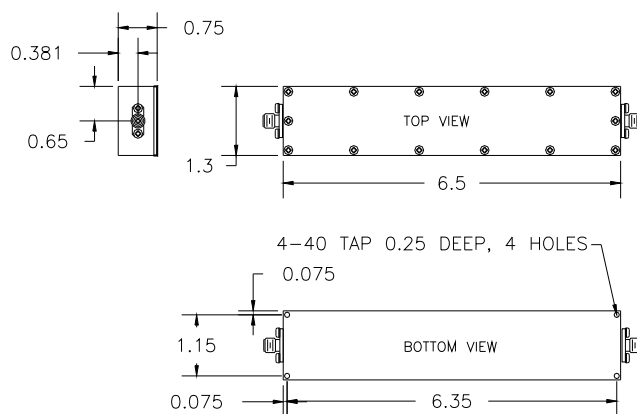
Operating Temperature	0°C to +70°C
Impedance, [Ohm]	75

**Ordering Information**

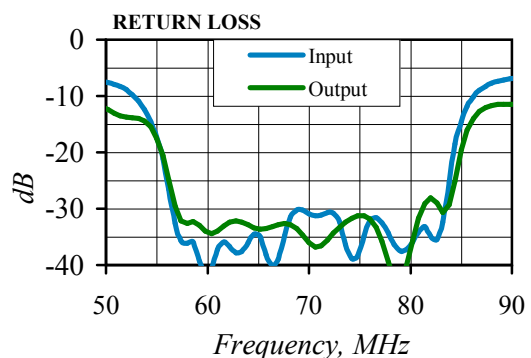
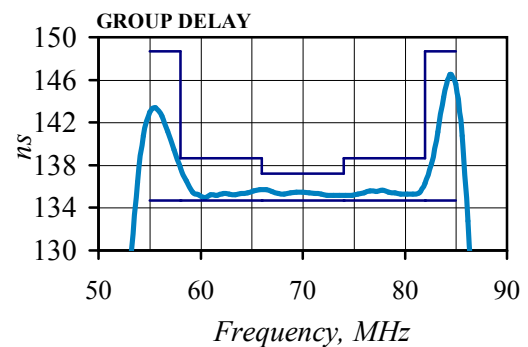
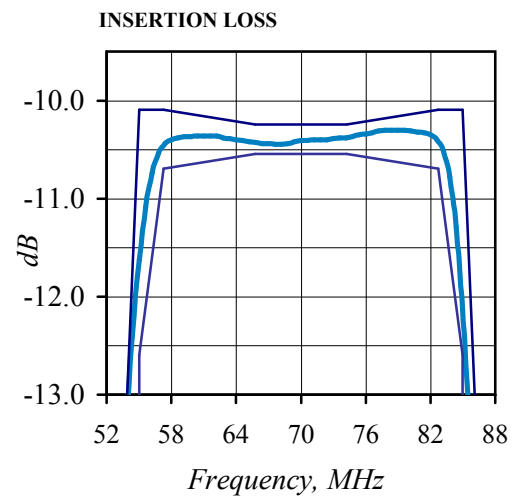
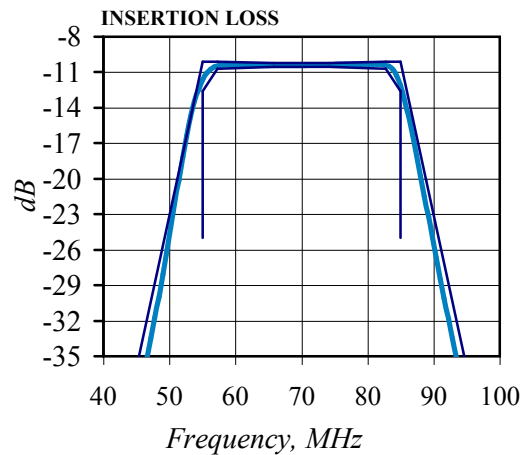
Model No.	Connectors
FLT/EQ-70-30-SMA	SMA
FLT/EQ-70-30-BNC	BNC

**Outline drawing**

Dimensions in inches



**Typical Performance**



Specifications Subject To Change Without Notice