

**FEATURES :**

- *Ultra-wide Bandwidth*
- *Low Insertion Loss*
- *Tight phase and amplitude balance*

**SPECIFICATIONS**

Frequency Range, [MHz]	0.025 - 25
Insertion Loss, typ/max [dB] (above 3dB Split Loss)	0.6 / 0.8
Isolation, min [dB]	30
Amplitude Balance, max [dB]	±0.3
Phase Balance, max [degrees]	±3
VSWR	1.3 : 1

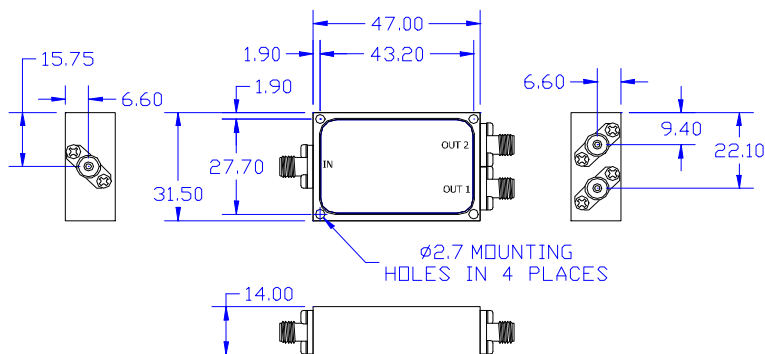
**Operating Characteristics**

Input Power, max. [mW] with matched loads	1000
Impedance, [Ohm]	50
Operating Temperature	-20°C to +70°C

**Ordering Information**

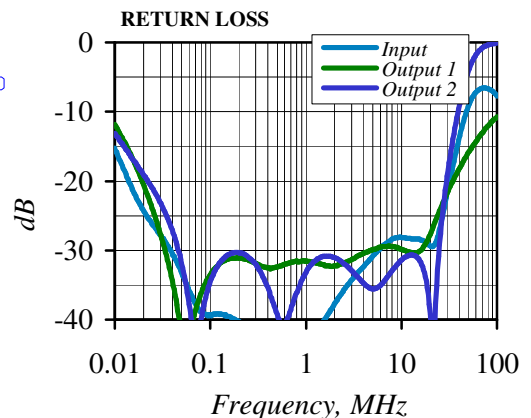
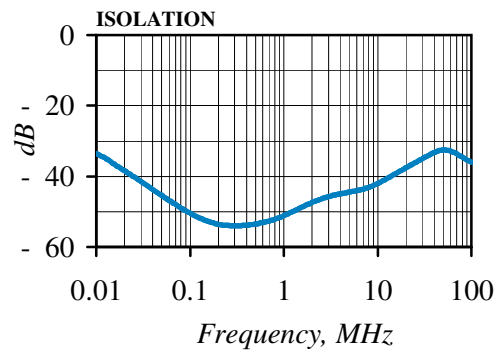
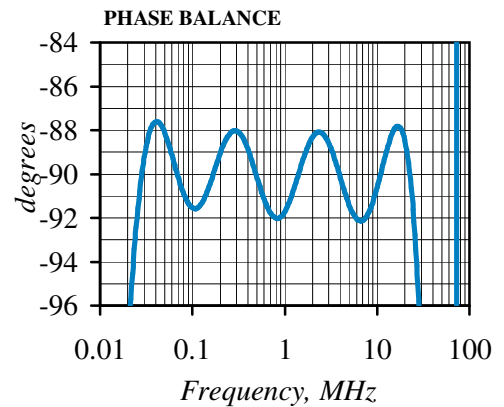
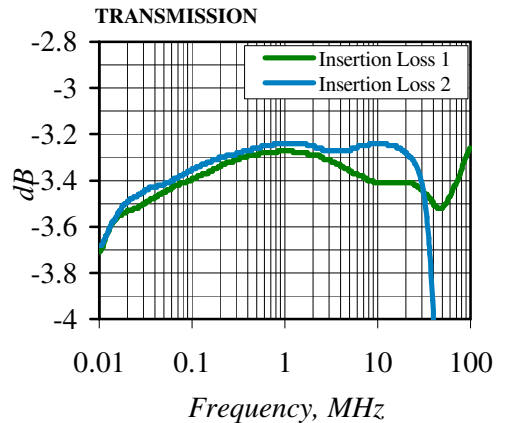
Model No.	Package
HYB0025-25-8-SMA	A5
HYB0025-25-8-N	A3
HYB0025-25-8-BNC	A3
HYB0025-25-8-D	A5D <sup>1</sup>

**Outline drawing(A5)** dimensions in inches



<sup>1</sup>A5D is drop-in version of the A5 package. Connector type for A5D is field replaceable SMA.

**Typical Performance**



Specifications Subject To Change Without Notice