

FEATURES :

- Ultra Wide Bandwidth
- Low Insertion Loss
- Tight Phase and Amplitude Balance
- Compact Size

SPECIFICATIONS

Frequency Range, [KHz]	0.1 - 7000
Insertion Loss*, typ/max [dB]	
0.4KHz-2MHz	0.3 / 0.4
0.1KHz - 7MHz	1.0 / 1.2
Isolation, min [dB]	
1KHz - 1MHz	30
0.1KHz - 10MHz	20
Amplitude Balance, typ/max [dB]	±0.1
Phase Balance, typ/max [degrees]	±0.25
VSWR, max	
0.7KHz-3MHz	1.2:1
0.1KHz - 10MHz	2.2:1

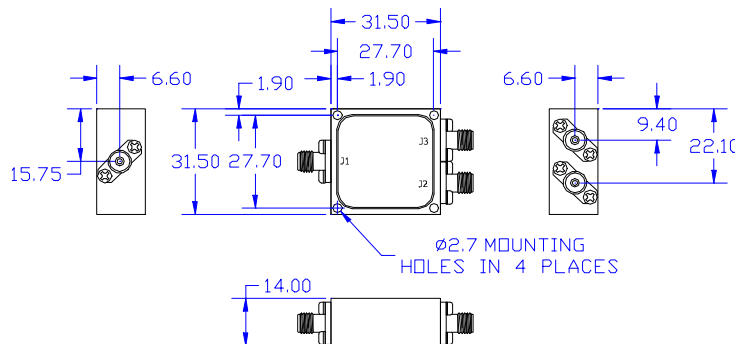
Operating Characteristics

Input Power CW max. [W], total as combiner, with matched loads	0.2
Input Power CW max. [W], as splitter with matched loads	1
Impedance, [Ohm]	50
Operating Temperature	-20°C to +70°C

Ordering Information

Model No.
PD2-01K-7-SMA

Outline drawing dimensions in mm



* Above theoretical loss
 Specifications Subject To Change Without Notice

Typical Performance

