

**FEATURES :**

- *Ultra Wide Bandwidth*
- *Low Insertion Loss*
- *Tight Phase and Amplitude Balance*
- *Compact Size*

**SPECIFICATIONS**

Frequency Range, [MHz]	1 -500
Insertion Loss*, typ/max [dB]	
1-100MHz	0.4 / 0.5
100 - 500MHz	0.7 / 0.9
Isolation, min [dB]	25
Amplitude Balance, typ/max [dB]	±0.2
Phase Balance, typ/max [degrees]	±3
VSWR, max 5-500MHz	1.3:1
1 - 5MHz	1.4:1

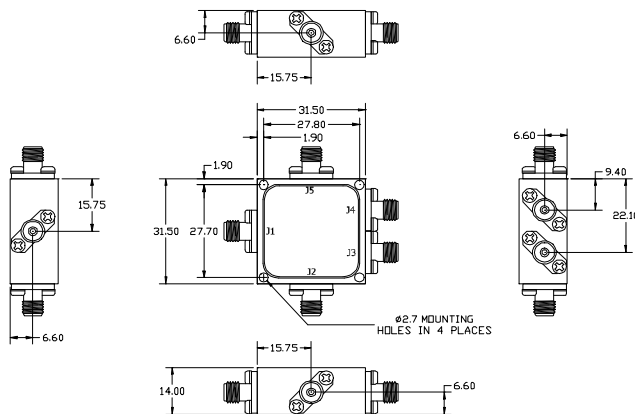
**Operating Characteristics**

Input Power CW max. [W], total as combiner, with matched loads	0.25
Input Power CW max. [W], as splitter with matched loads	1
Impedance, [Ohm]	50
Operating Temperature	-20°C to +70°C

**Ordering Information**

**Model No.**  
**PD4-1-500-SMA**

**Outline drawing** dimensions in mm



\* Above theoretical loss  
 Specifications Subject To Change Without Notice

**Typical Performance**

