

FEATURES :

- Absorptive
- High Isolation
- Integrated Driver

SPECIFICATIONS

Frequency Range, [MHz]	3000-7000
Insertion Loss, [dB] @3GHz	1.5
@5GHz	2.0
@7GHz	2.8
Isolation, [dB] min	90
Return Loss, [dB] all ports	15
Input 0.1dB C.P. min [dBm]	+18
Switching speed max [nsec]	200

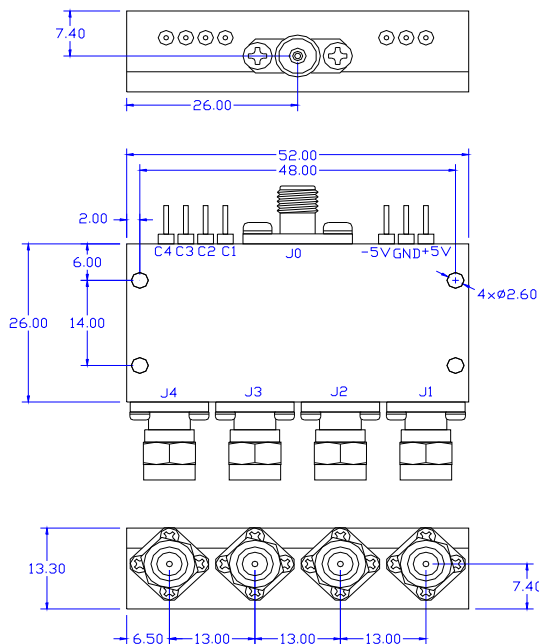
Operating Characteristics

Bias Supply voltage Vd/Ve, [V]	+5 / -5
Control voltage Vc, [V]	TTL
Operating Temperature	0°C to +70°C
Impedance, [Ohm]	50

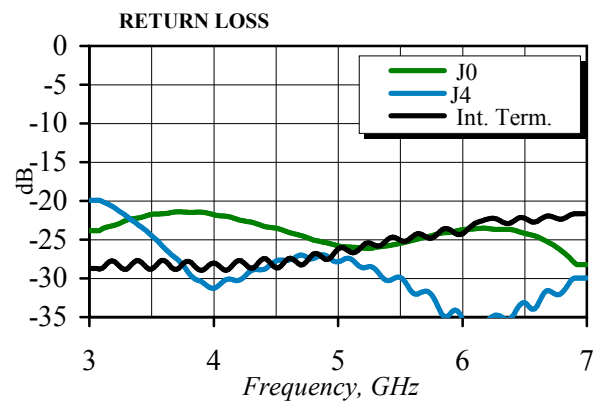
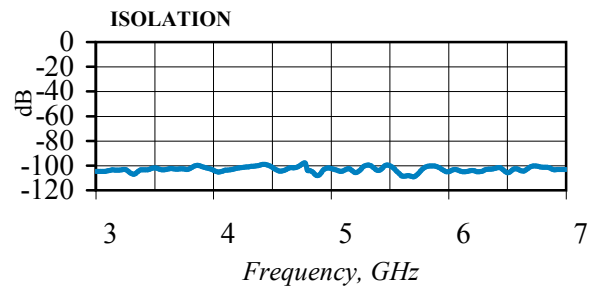
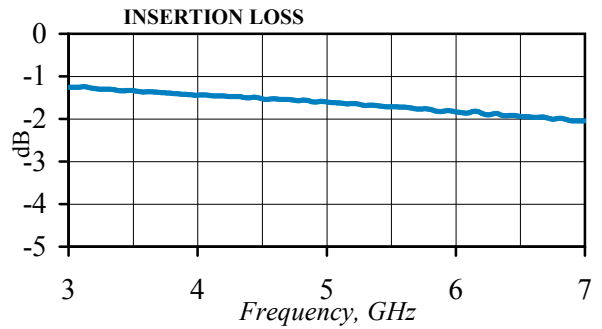
Absolute Maximum Ratings

Supply Voltage Range Vd, [V]	0 to +7
Supply Voltage Range Ve, [V]	0 to -6
Control voltage range Vc, [V]	-0,5 to Vd+1Vdc
Maximum input power, [dBm]	+30

Outline drawing dimensions in inches



Typical Performance



Control Logic truth table

Switch state	C1	C2	C3	C4	J0 to
1	1	0	0	0	J1
2	0	1	0	0	J2
3	0	0	1	0	J3
4	0	0	0	1	J4

Specifications Subject To Change Without Notice