

FEATURES :

- *Ultra-wide Bandwidth*
- *Low Insertion Loss*
- *Tight phase and amplitude balance*

SPECIFICATIONS

Frequency Range, [MHz]	0.5 - 100
Insertion Loss, typ/max [dB] (above 3dB Split Loss)	0.5 / 0.6
Isolation, min [dB]	25
Amplitude Balance, typ/max [dB]	±0.2 / ±0.3
Phase Balance, typ/max [degrees]	±3.5 / ±4
VSWR	1.2 : 1

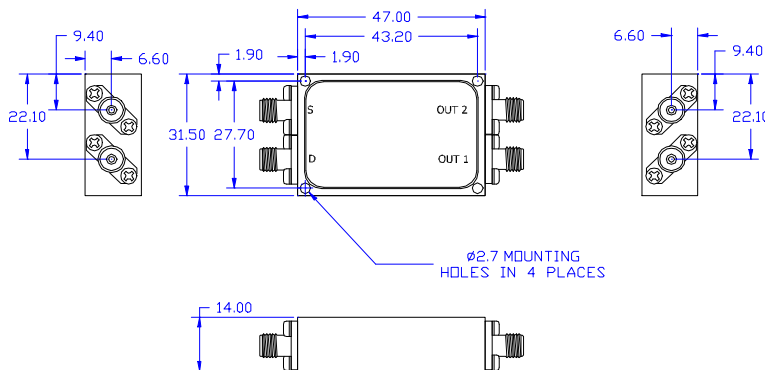
Operating Characteristics

Input Power, max. [mW] with matched loads	1000
Impedance, [Ohm]	50
Operating Temperature	-20°C to +70°C

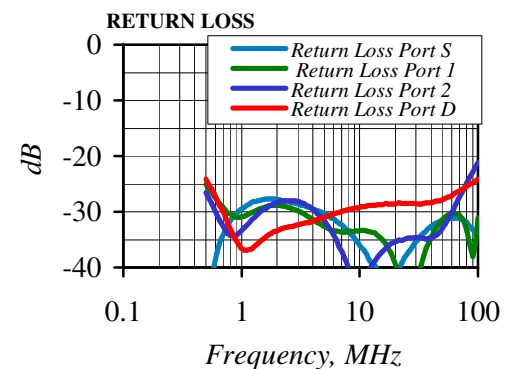
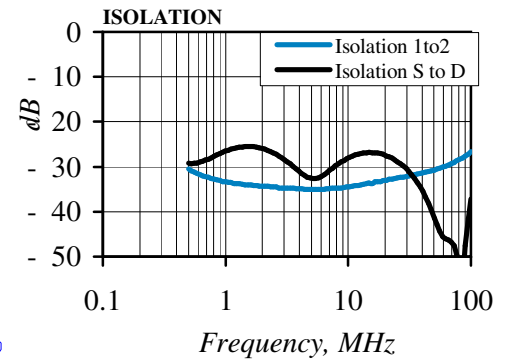
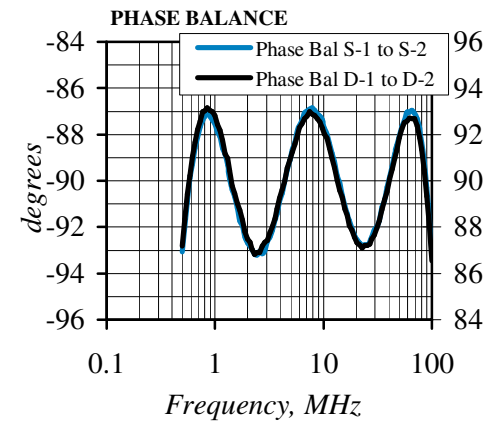
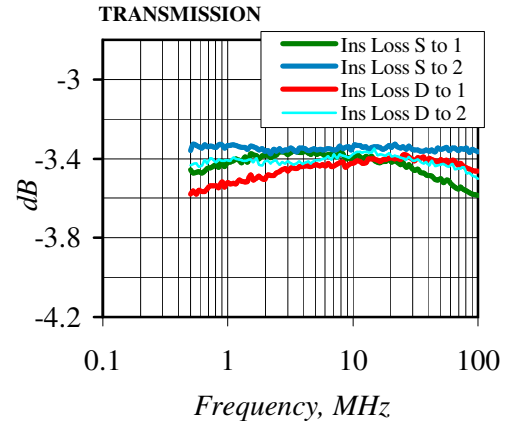
Ordering Information

Model No.	Package
HYBQ05-100-6-SMA	A5B

Outline drawing(A5B) dimensions in mm



Typical Performance



Specifications Subject To Change Without Notice